

RHINO-RACK®

Suzuki Jimny Overland Kit

ROLS1

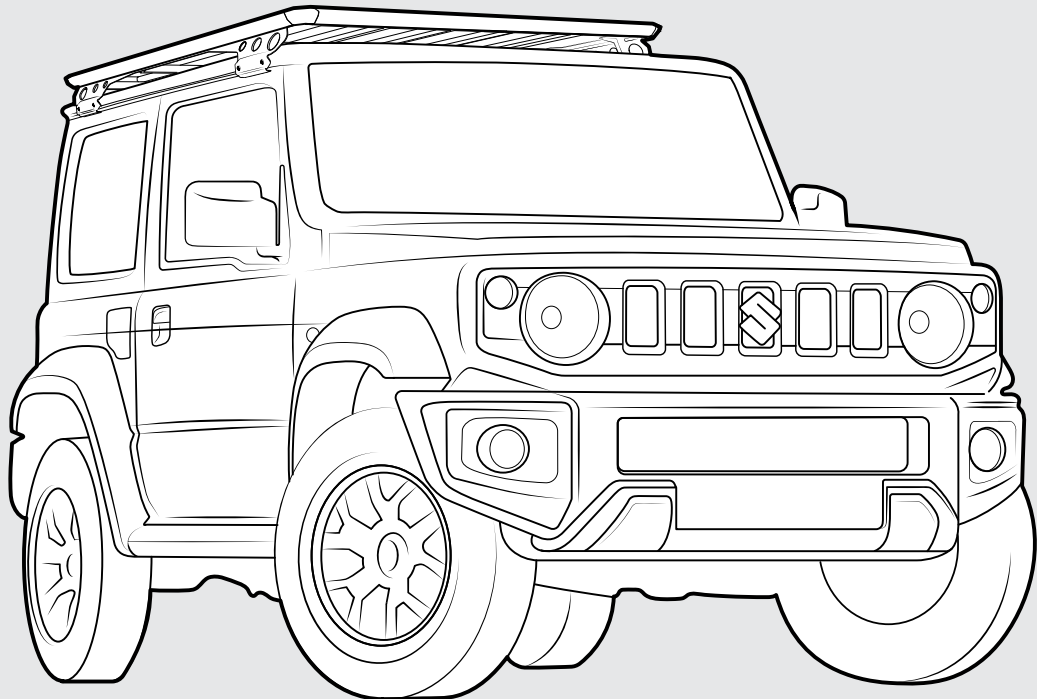
Important:

1. Check the Rhino-Rack website to ensure you have the latest issue of these instructions.
2. Please refer to your fitting instruction to ensure that the product is installed correctly.
3. Check the contents of kit before commencing fitment and report any discrepancies.
4. Place these instructions in the vehicle's glove box after installation is complete.
5. These instructions must be followed for warranty to be upheld.

Fit Time: 45 mins



INSTALLER
SKILL LEVEL

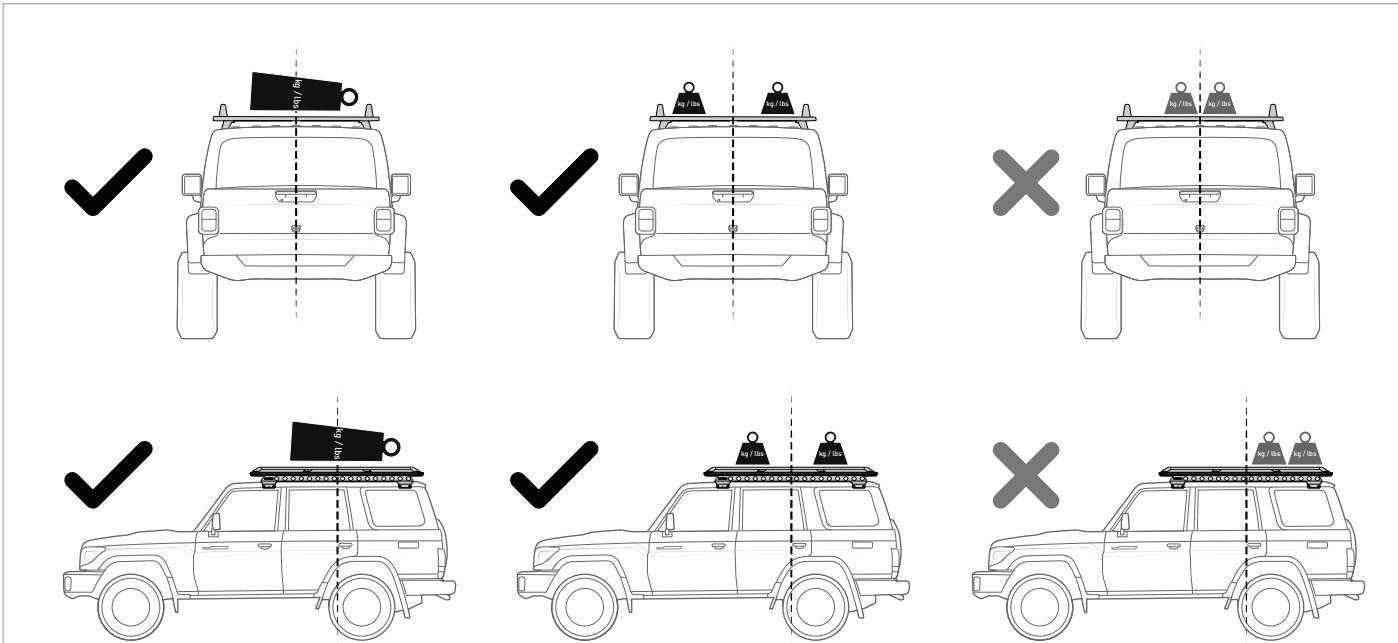


RHINORACK.COM

Rhino-Rack AUSTRALIA
22A Hanson Pl,
Eastern Creek, NSW, 2766

Rhino-Rack USA
Unit D, 2450 Airport Blvd,
Aurora, CO, 80011

Document No: 520-RFI-00115
Issue No: 01
Issue Date: 30/01/2022

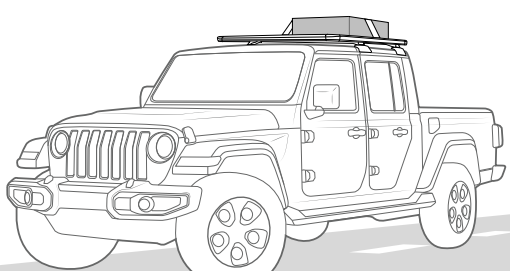


The diagrams show three SUVs from a rear perspective and three from a side perspective. In the rear views, the first two show a single load centered on the roof rack, marked with a checkmark. The third shows two loads, one at the front and one at the rear, marked with an 'X'. In the side views, the first two show a single load centered on the roof rack, marked with a checkmark. The third shows two loads, one at the front and one at the rear, marked with an 'X'.

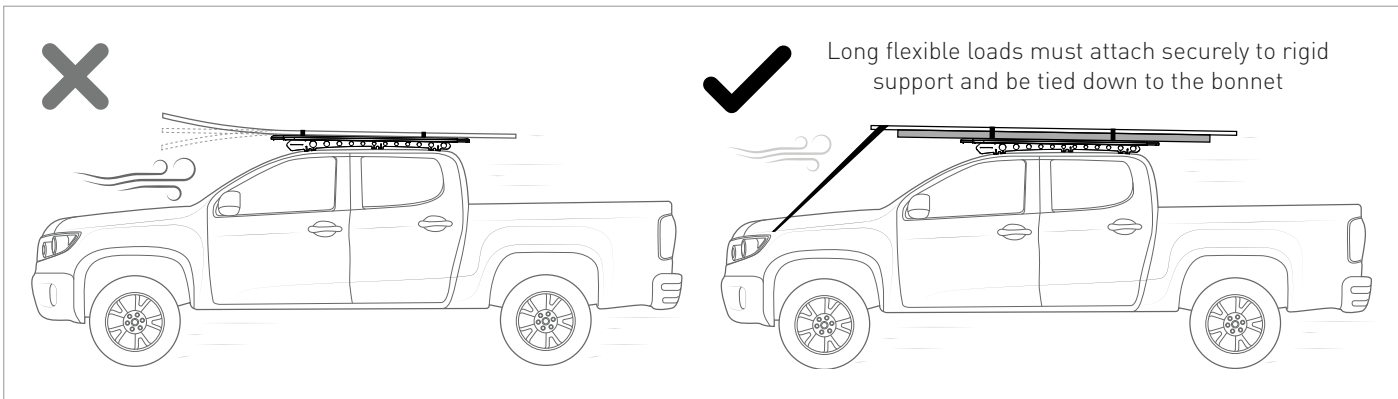
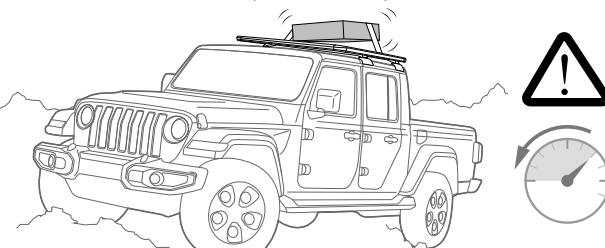
Distribute loads evenly and laterally/longitudinally as low as possible over the span.

Avoid point loads concentrated at the front or rear.

Exercise extreme care when transporting wind-resistant loads. Special consideration must be taken when cornering and braking.

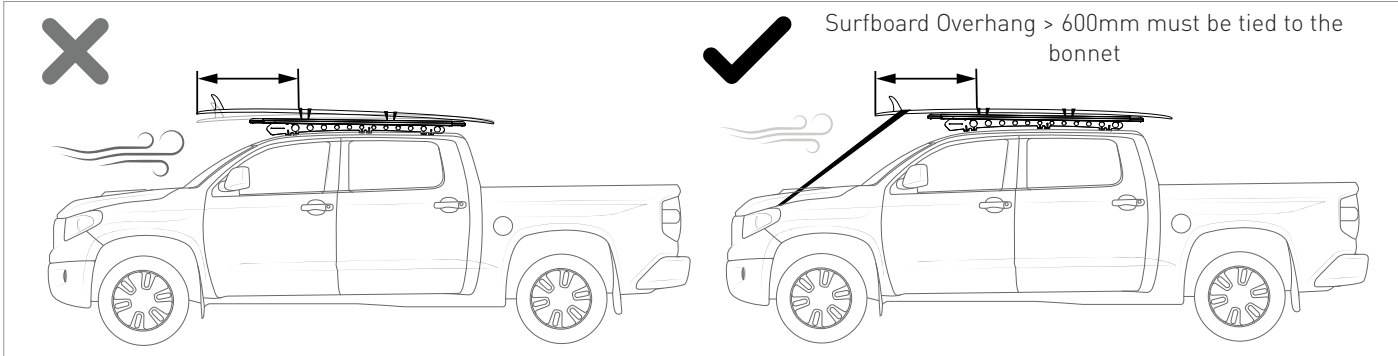


Off-road conditions can be much more rigorous. Extreme care must be taken on any driven path that does not contain a surface protection layer (tar/bitumen).



The first diagram shows a long flexible load on a roof rack with a checkmark, indicating it is correctly secured. The second diagram shows a long flexible load on a roof rack with an 'X', indicating it is incorrectly secured.

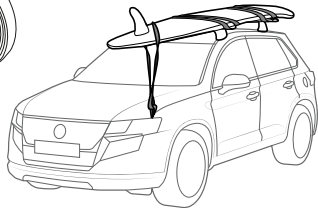
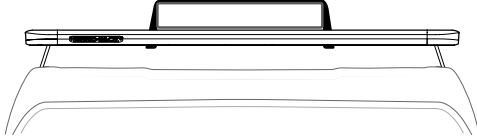
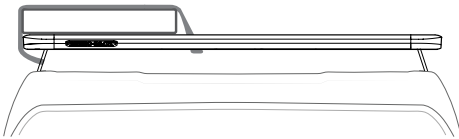
Long flexible loads must attach securely to rigid support and be tied down to the bonnet



The first diagram shows a surfboard on a roof rack with an overhang greater than 600mm, marked with an 'X'. The second diagram shows a surfboard on a roof rack with an overhang less than 600mm, marked with a checkmark.

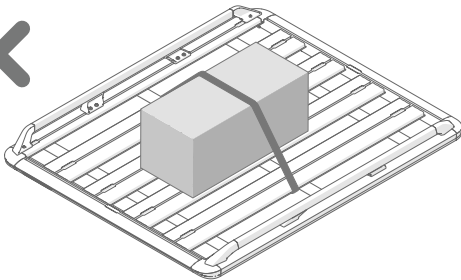
Surfboard Overhang > 600mm must be tied to the bonnet

✗ Loads must be tied down to Platform, not around legs

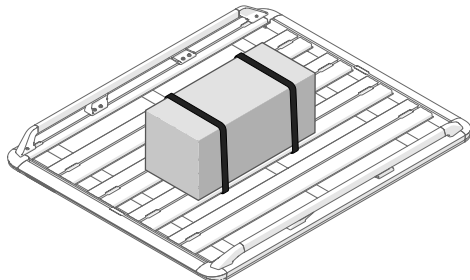


Use only non-stretch fastening ropes or straps to attach cargo to roof racks

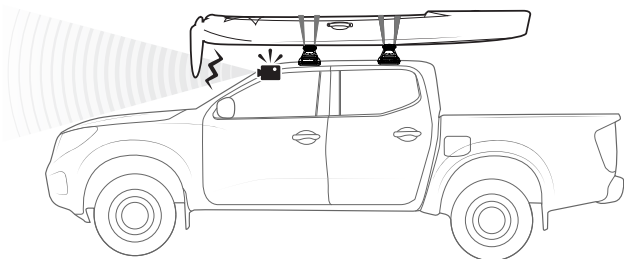
✗



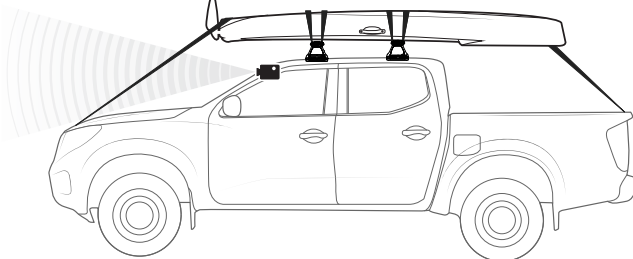
✓



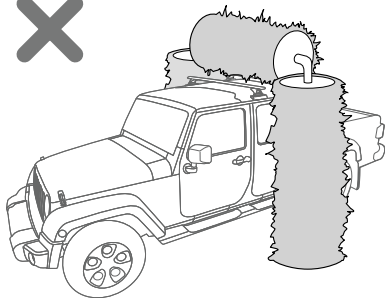
✗ Do NOT obstruct windscreen camera sensors



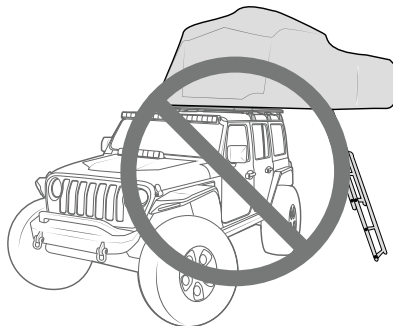
✓ ⚠ Warranty for roof rack system will be void if the front of the kayak is not secured to the bonnet



✗

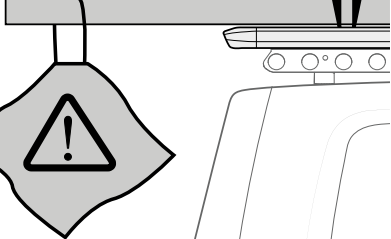


Racks must be removed when vehicle is put through an automatic car wash.

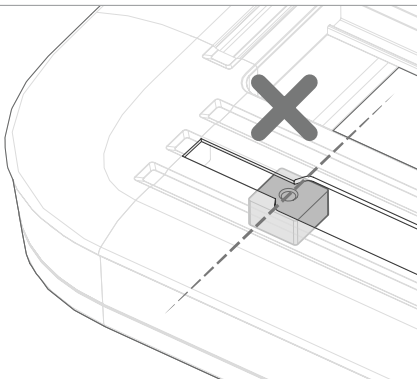


⚠ Manufacturers Roof load limit does not support the use of Rooftop tents

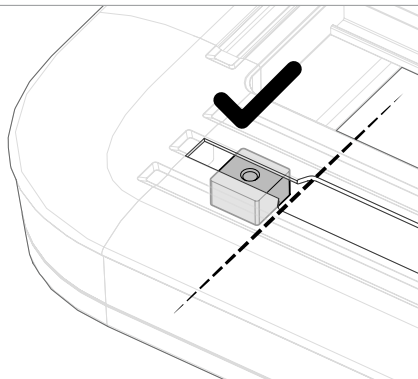
⚠



✗



✓





In service maintenance checks

- All bolt connections should be checked after driving a short distance when you first install your roof racks.
- All bolted connections should be checked again at regular intervals (weekly is recommended, depending on road conditions, usage, loads and distances travelled).
- All bolted connections should be checked each time they are re-fitted.
- Off-road conditions are more rigorous. Check all bolted connections and your load more regularly.
- Ensure that your vehicle manufacturer’s GVM, and gross axle weights are not exceeded (refer to vehicle owner’s manual).

Torque Settings:

Unless stated otherwise in these instructions, all fasteners should be set to the following torque settings:



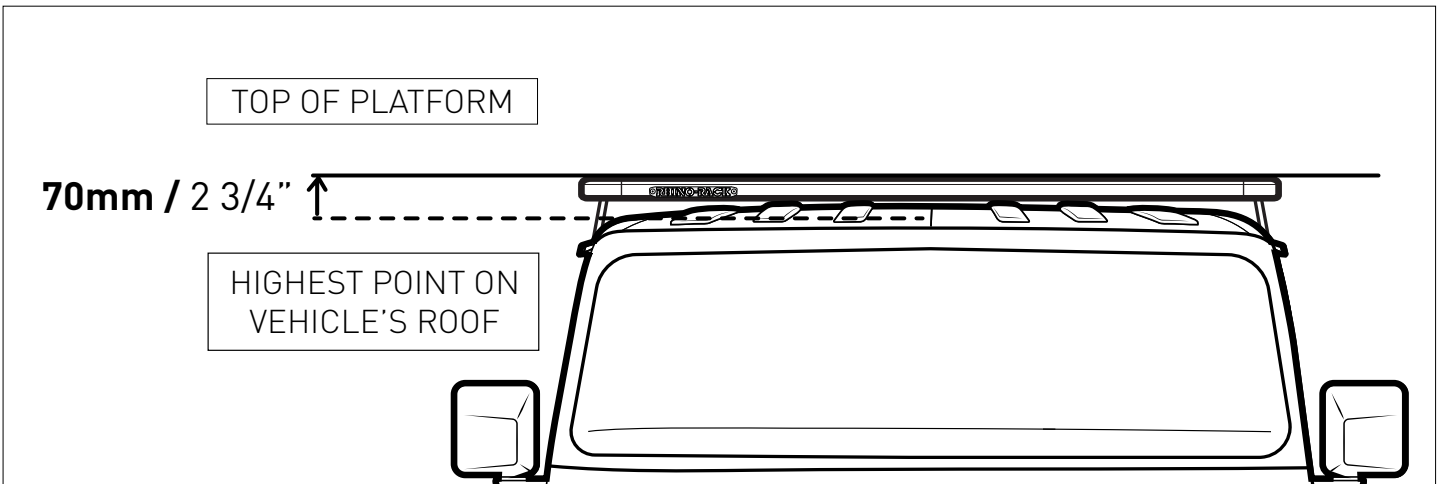
Note for Dealers and Fitters

It is your responsibility to ensure these fitting instructions are given to the end user or client. These instructions remain the property of Rhino-Rack Australia Pty. Ltd. and may not be used or changed for any other purpose than intended.

VISIT THE ONLINE CALCULATOR FOR CURRENT SYSTEM LOAD LIMIT DATA

DYNAMIC LOAD LIMIT (ON AND OFF-ROAD):
***USE THE VEHICLE MANUFACTURER’S MAXIMUM ROOF ALLOWANCE IF IT IS LOWER THAN THE FIGURE LISTED**

 UP TO 10 kg 22 lbs	 20 kg 44 lbs	+	=	 UP TO 30 kg 66 lbs	OR	 *VEHICLE MANUFACTURER’S ROOF LOAD LIMIT
---	-----------------------------------	----------	----------	---	-----------	--

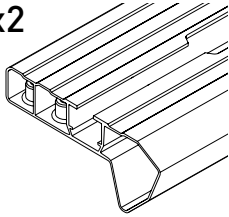


Parts List

P1 Platform Assembly

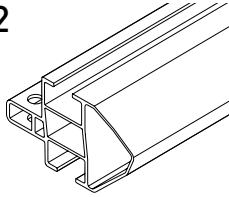
Side Extrusion

A x2



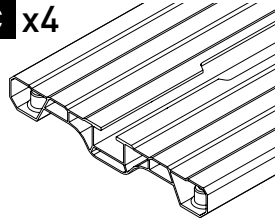
Front/Rear Extrusion

B x2



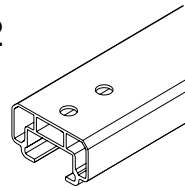
Plank

C x4



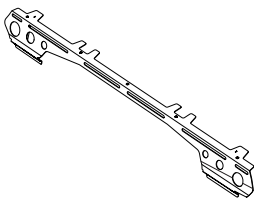
Underbar

D x2



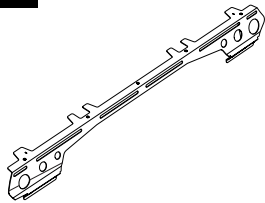
LHS Backbone

E x1



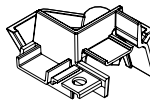
RHS Backbone

F x1



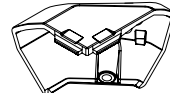
RHS Corner Base 100-005-00001

G x2



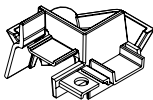
RHS Corner Cover 100-003-00001

H x2



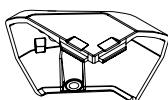
LHS Corner Base 100-005-00002

I x2



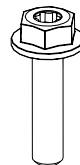
LHS Corner Cover 100-003-00002

J x2



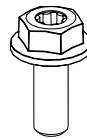
M6 x 25mm Hex Head Flanged Bolt

K x48



M6 x 12mm Hex Head Flanged Bolt

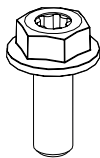
L x4



P2 Backbone Installation

M6 x 16mm Hex Head Flanged Bolt

M x4



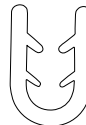
M6 x 19mm Flat Washer

N x4



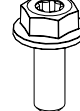
150mm Generic Pinch Weld

O x4



M6 x 12mm Hex Head Flanged Bolt

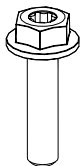
L x10



P3 Vehicle Installation

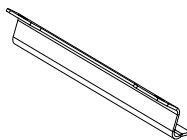
M6 x 25mm Hex Head Flanged Bolt

K x8



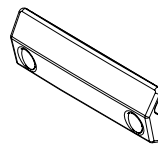
Gutter Backbone Strap

P x4



Gutter Backbone Clamp

Q x4



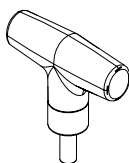
10mm Socket Hex Driver

R x1



Torque Tool

S x1



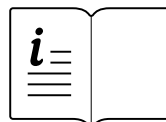
Torx Key (T30)

T x1



Instructions

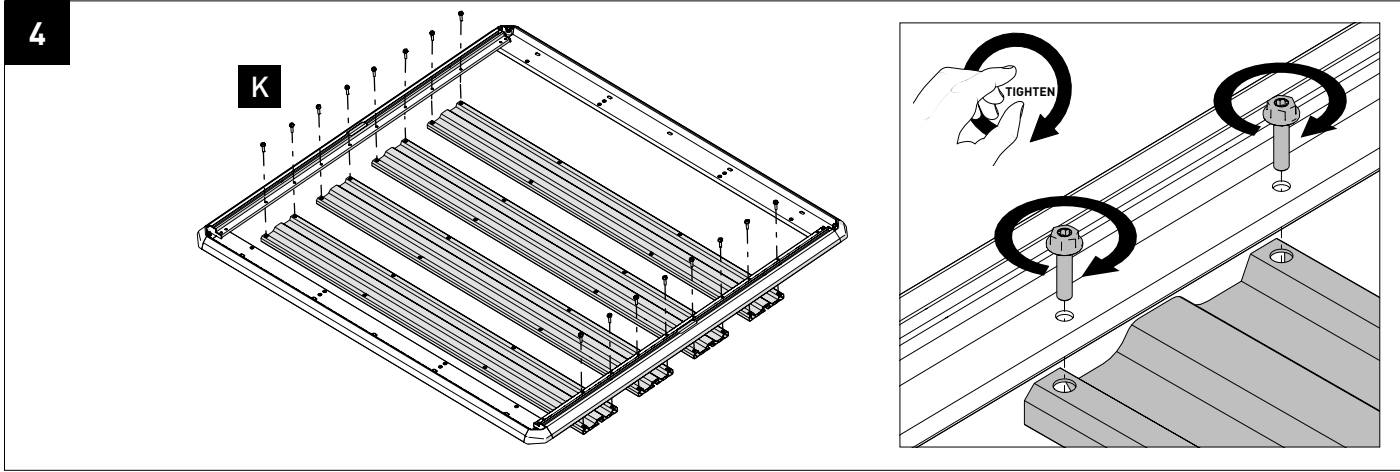
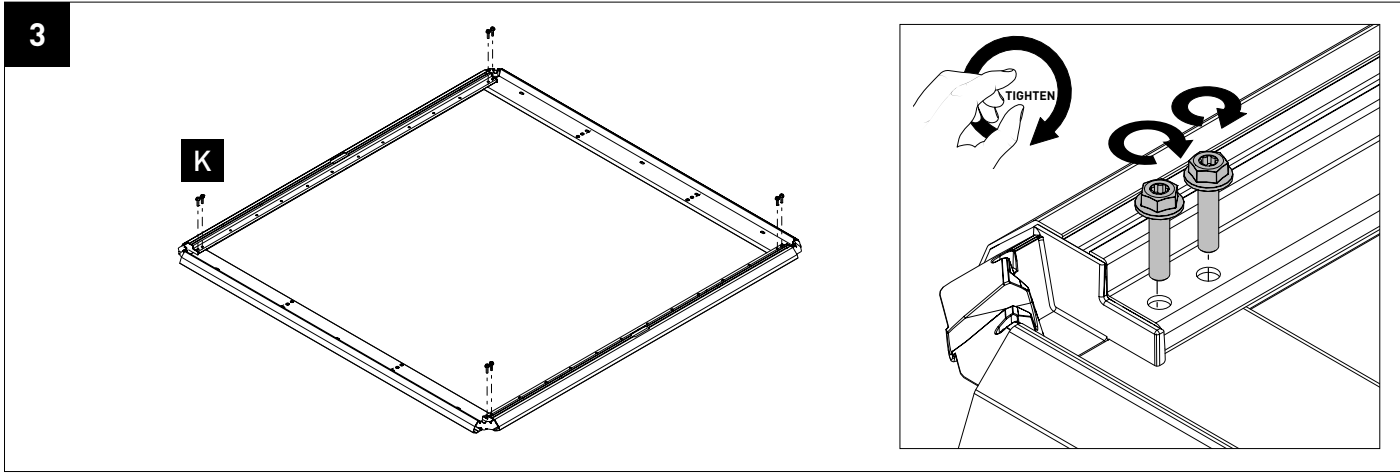
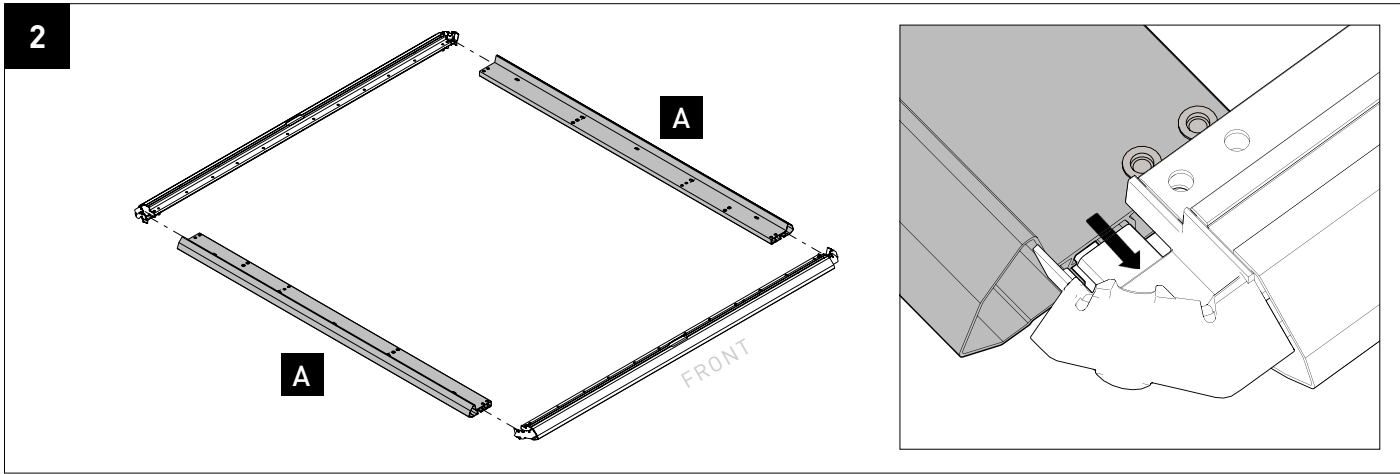
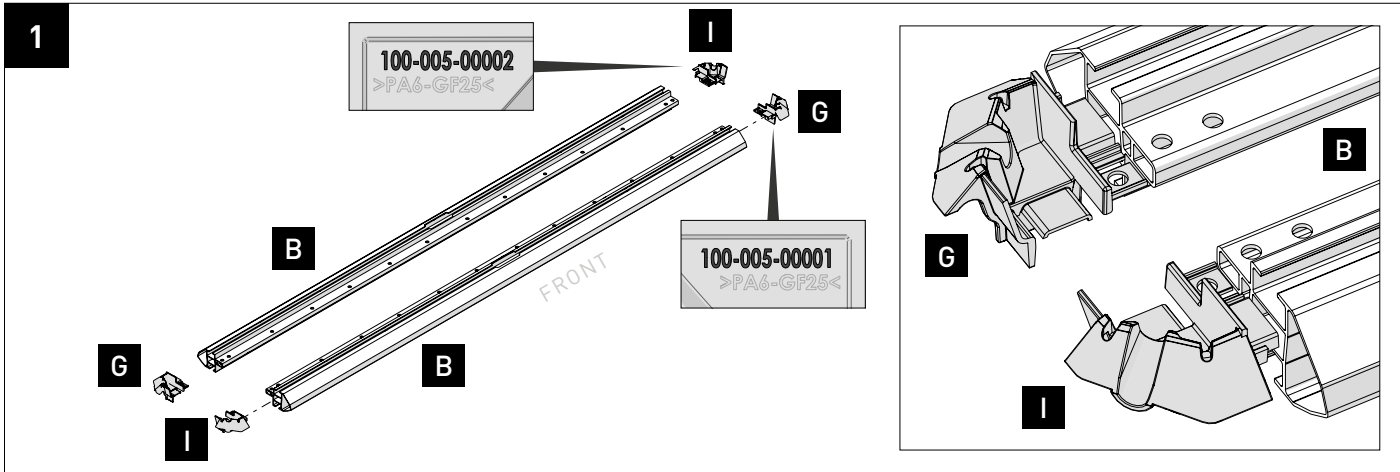
U x1

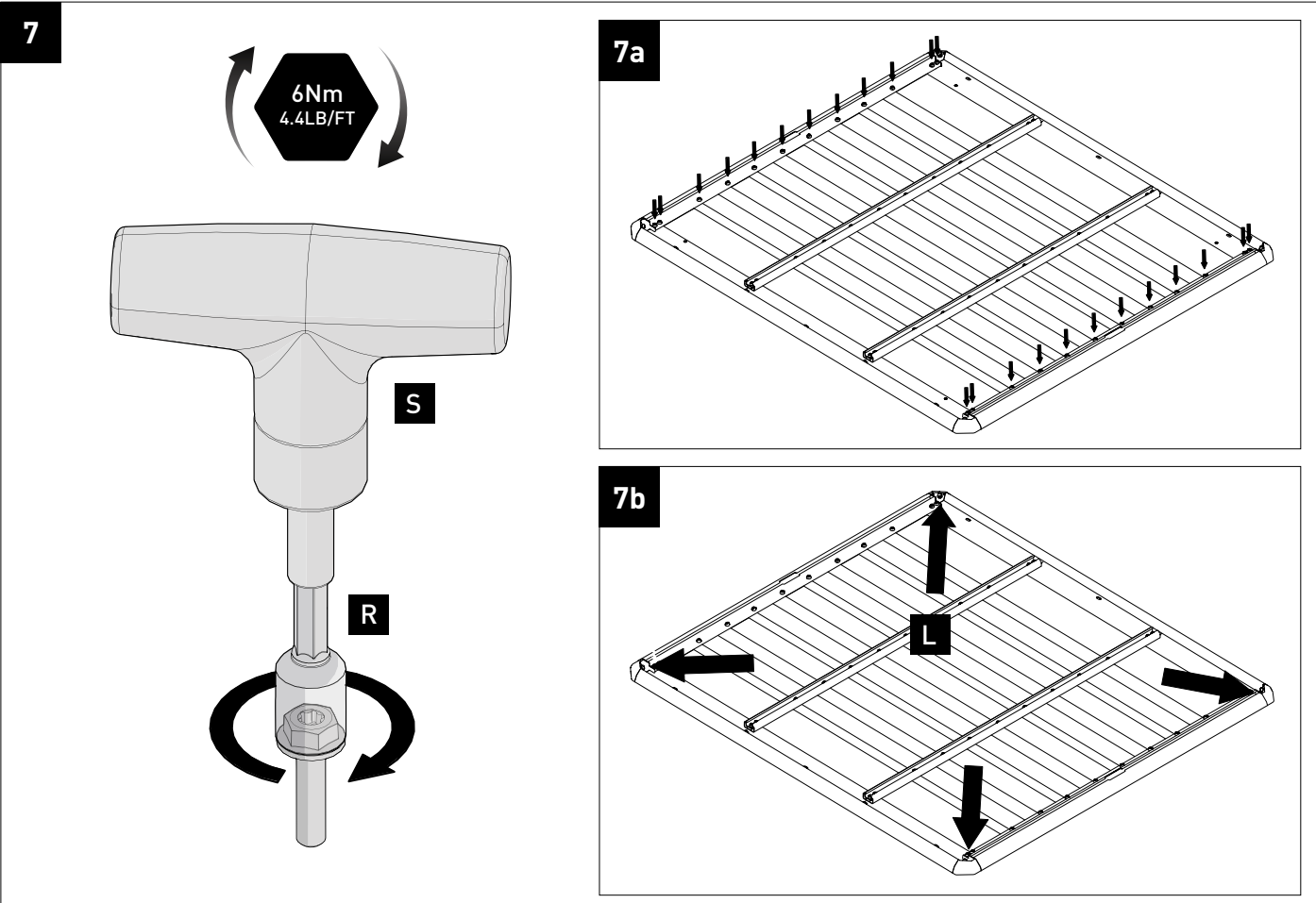
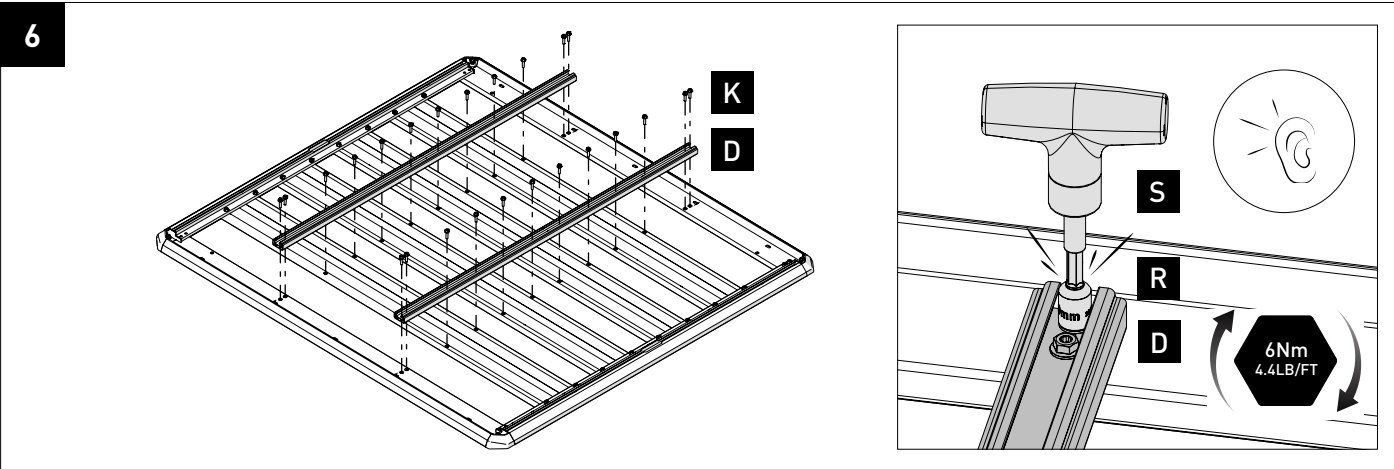
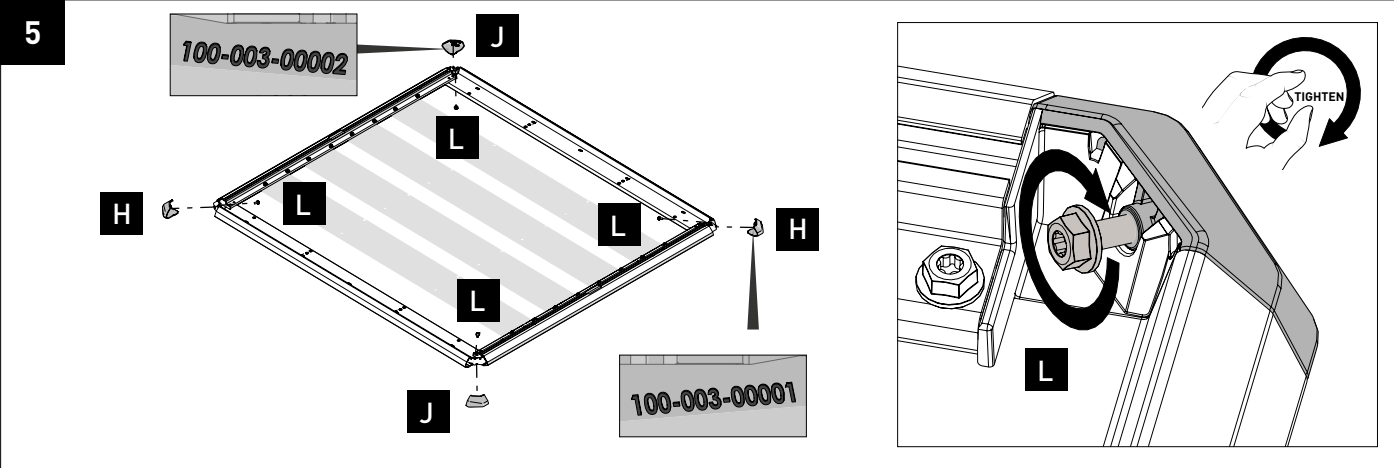


Tools Required

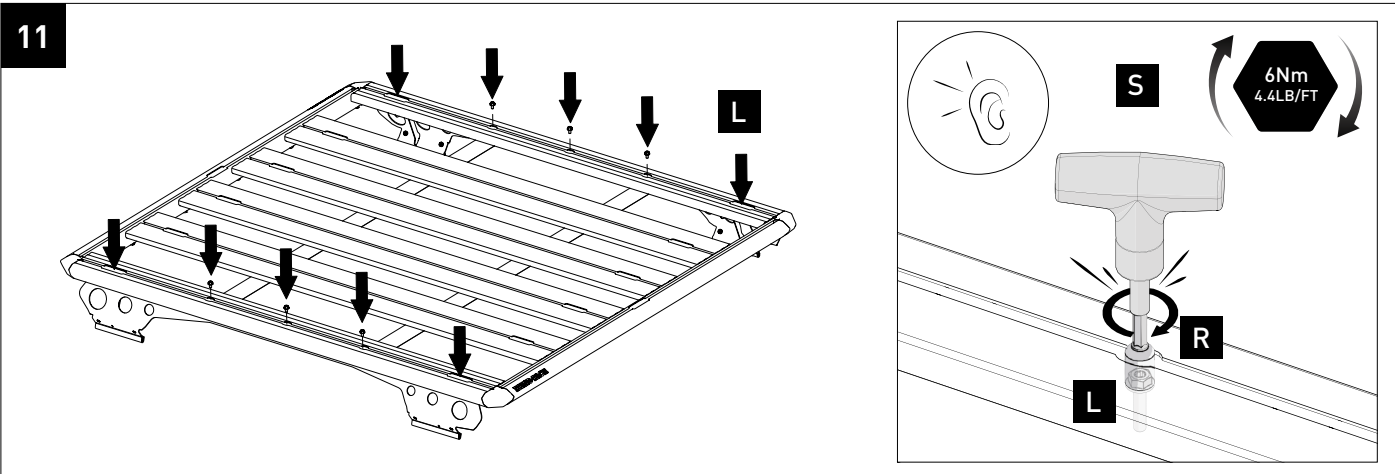
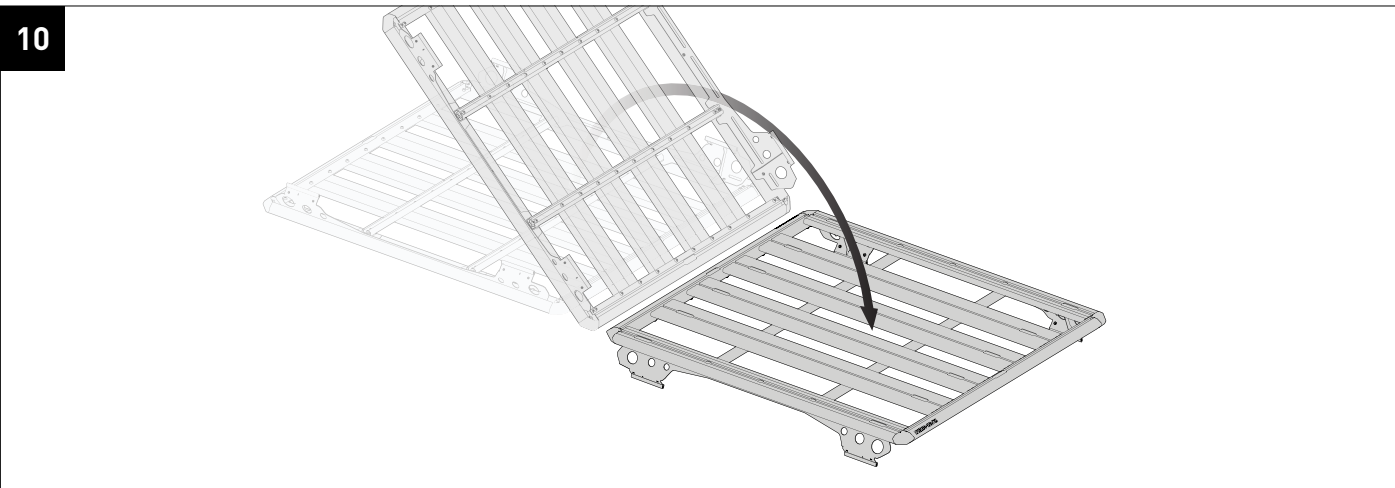
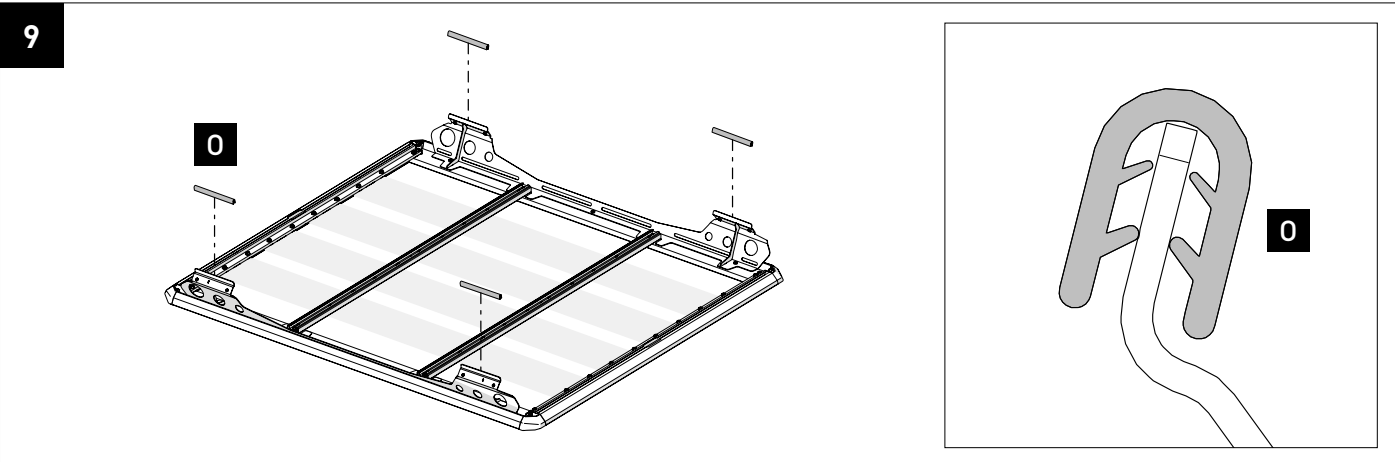
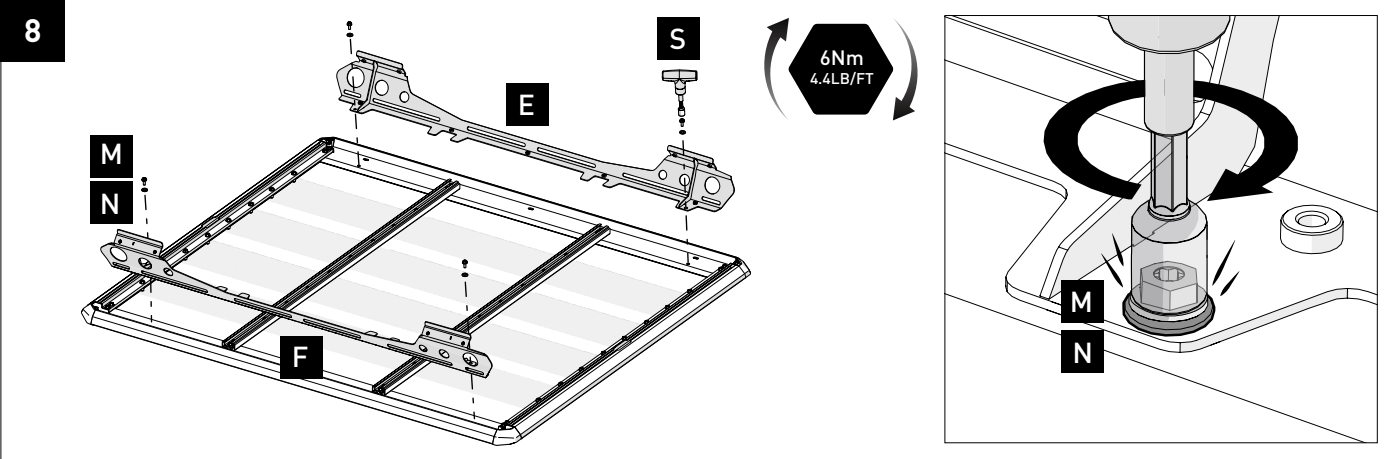
- T1 - Socket Wrench
- T2 - Tape Measure

P1
▼



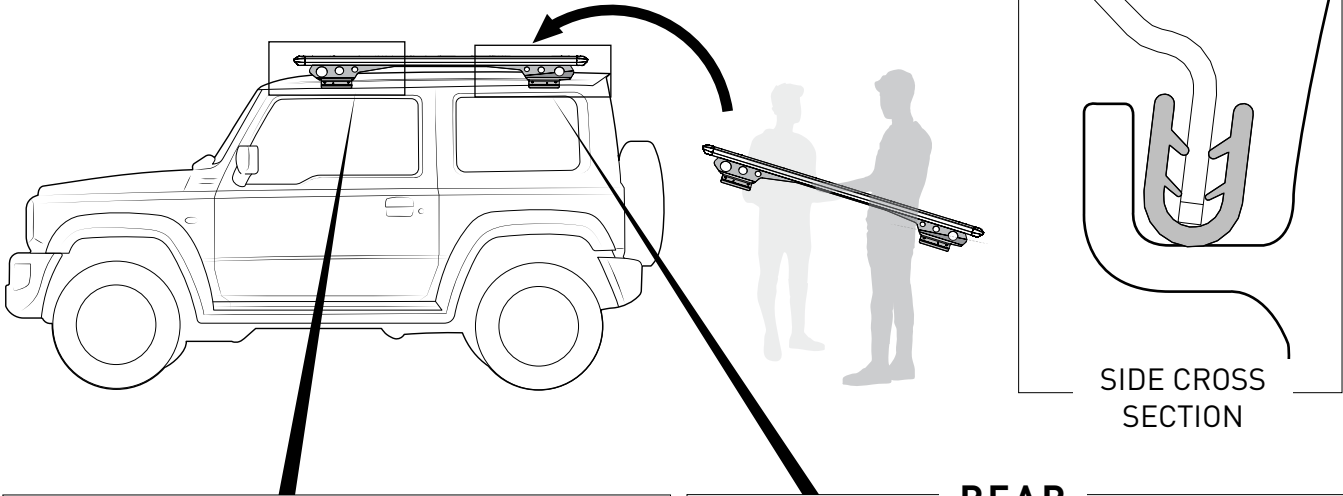


P2
▼



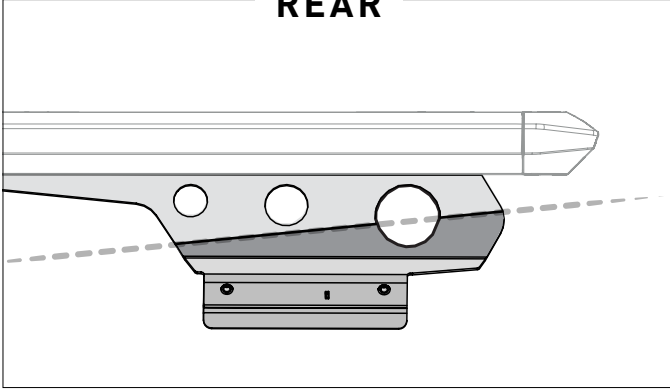
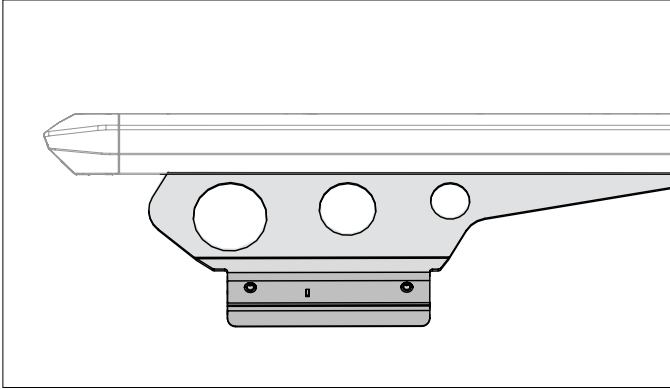
P3
▼

12



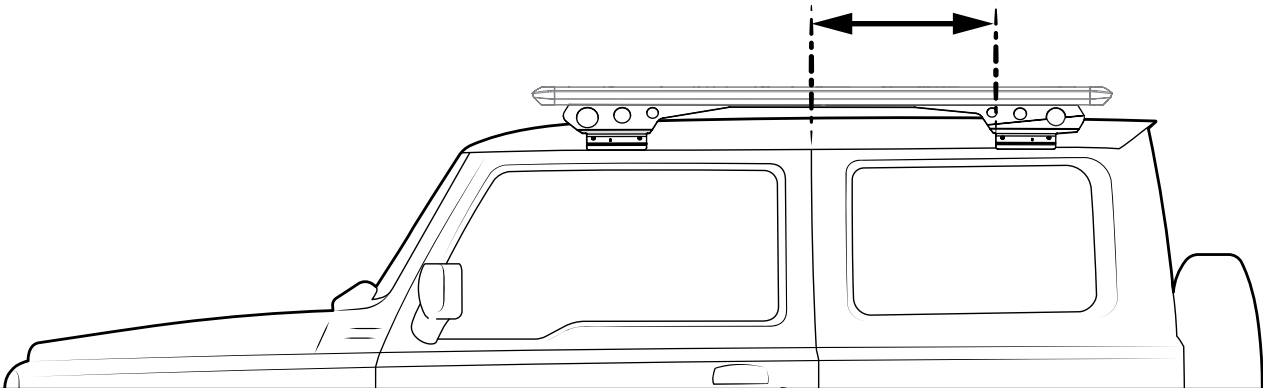
SIDE CROSS SECTION

REAR



13

500mm



14

