



FITTING INSTRUCTIONS

Part Number: **3500630**
Product **FOLDING LICENSE PLATE KIT**
Description:

WARNING

REGARDING VEHICLES EQUIPPED WITH SRS AIRBAG:

When installed in accordance with these instructions, the front protection bar does not affect operation of the SRS airbag.

ALSO, NOTE THE FOLLOWING:

- ◆ This product must be installed exactly as per these instructions using only the hardware supplied.
- ◆ In the event of damage to any bull bar component, contact your nearest authorised ARB stockist. Repairs or modifications to the impact absorption system must not be attempted.
- ◆ Do not use this product for any vehicle make or model, other than those specified by ARB.
- ◆ This product or its fixing must not be modified in any way.
- ◆ The installation of this product may require the use of specialized tools and/or techniques
- ◆ It is recommended that this product is only installed by trained personnel
- ◆ These instructions are correct as at the publication date. ARB Corporation Ltd. cannot be held responsible for the impact of any changes subsequently made by the vehicle manufacturer
- ◆ During installation, it is the duty of the installer to check correct operation/clearances of all components
- ◆ Work safely at all times
- ◆ Unless otherwise instructed, tighten fasteners to specified torque

ARB 4x4 ACCESSORIES

Corporate Head Office

42-44 Garden St
Kilsyth, Victoria
AUSTRALIA 3137

Tel: +61 (3) 9761 6622
Fax: +61 (3) 9761 6807

Australian enquiries
North & South American enquiries
Other international enquiries

sales@arb.com.au
sales@arbusa.com
exports@arb.com.au

www.arb.com.au

GENERAL CARE AND MAINTENANCE

By choosing an ARB accessory, you have bought a product that is one of the most sought after 4WD products in the world. Your accessory is a properly engineered, reliable, quality accessory that represents excellent value. To keep your accessory in original condition it is important to care and maintain it following these recommendations:

- Prior to exposure to the weather your accessory if powder coated should be treated to a Carnauba based polish on all exposed surfaces. It is recommended that this is performed on a six monthly basis or following exposure to salt, mud, sand or other contaminants.
- As part of any Pre Trip Preparation, or on an annual basis, it is recommended that a thorough visual inspection of the entire bull bar and accessories is carried out, making sure that all bolts and other components are torqued to the correct specification. Also check that all wiring sheaths, connectors, and fittings are free of damage. Replace any components as necessary. This service can be performed by your local authorized ARB Stockist.

REQUIRED TOOLS FOR FITMENT OF PRODUCT:

Basic tool kit	
----------------	--

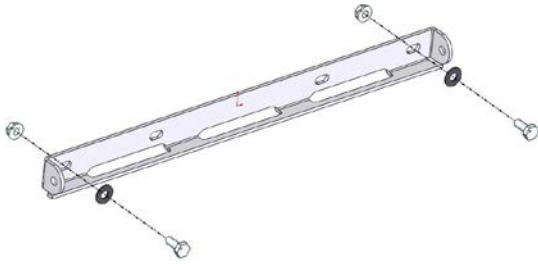
FASTENER TORQUE SETTINGS:

SIZE	Torque Nm	Torque lbft
M6	9Nm	7lbft
M8	22Nm	16lbft
M10	44Nm	32lbft
M12	77Nm	57lbft


PARTS LISTING

APPLICATION.	PART NO.	QTY	DESCRIPTION
INSTALL WINCH AND FOLDING NUMBER PLATE BRACKET	3758963	1	PIVOT BRACKET
	3758964	1	BASE BRACKET
	6151223	2	NYLOCK NUT M6 BLACK
	6151128	6	FLANGE NUT M6
	4584295	6	FLAT WASHER M6 BLACK
	5848302	2	PLASTIC WASHER BLACK
	6151213	4	HEX BOLT M6 x 20 BLACK
	6151256	4	BUTTON HEAD SCREW M6 x 16 SS
	4581304	4	WASHER FLAT M6 SS

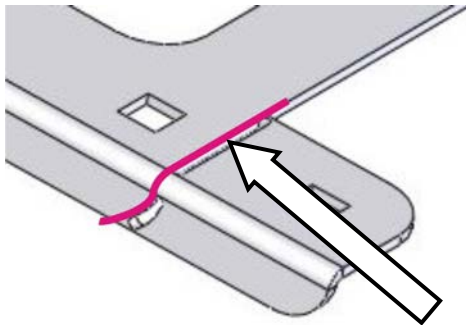
FITTING PROCEDURE



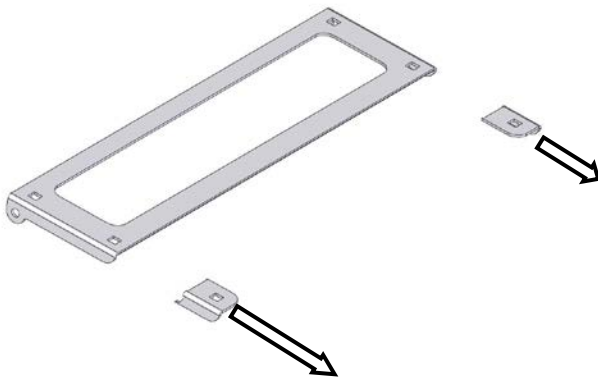
1. Fit the base bracket to the bull bar using 2 X M6 x 20 bolts, 2 X M6 flat washers and M6 flange nuts. Centralise the bracket, ensure it is level to the bar and tighten to the specified torque.

 M6 - 9 Nm.

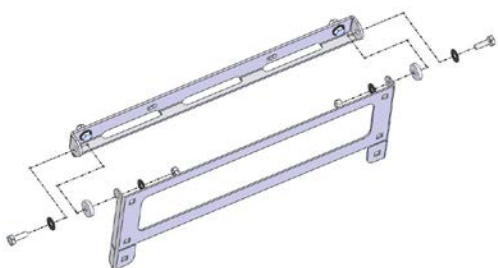
Note: There are 2 sets of holes provided to suit most bars.



2. If you are fitting a full sized plate proceed to step 7, if you are fitting a slim line plate continue from here.
3. Using the laser cut grooves as a guide, mark cut lines on both sides of the pivot bracket as shown.

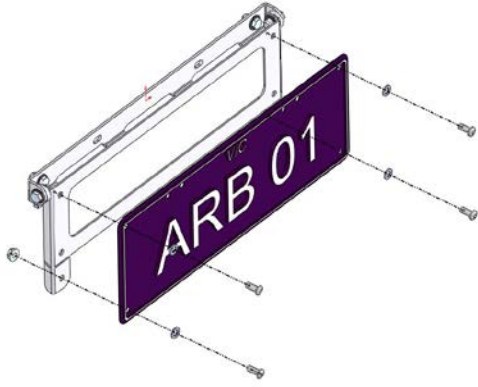


4. Use a hacksaw to carefully cut away the lower sections of the bracket and discard.
5. Use a file to remove any sharp edges.
6. Use matte black enamel paint to touch up the cut surfaces to prevent rust.

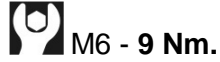


7. Fit the pivot bracket to the base bracket using 2 X M6 bolts, 4 X M6 flat washers 2 X M6 nyloc nuts with 2 X plastic washers separating the 2 X brackets as shown. Leave loose.
8. **Tighten each side evenly until the movement is firm.**

FITTING PROCEDURE



9. Using 4 X SStl M6 button head screws, 4 x M6 washers SStl and M6 flange nuts attach the number plate to the pivot bracket.



M6 - 9 Nm.

FOLD UP LICENCE PLATE BRACKET FITTED TO BULL BAR

