

ARB AIR LOCKER *Air Operated Locking Differentials*

RD32

Land Rover, Salisbury, 4.70:1

Specs:

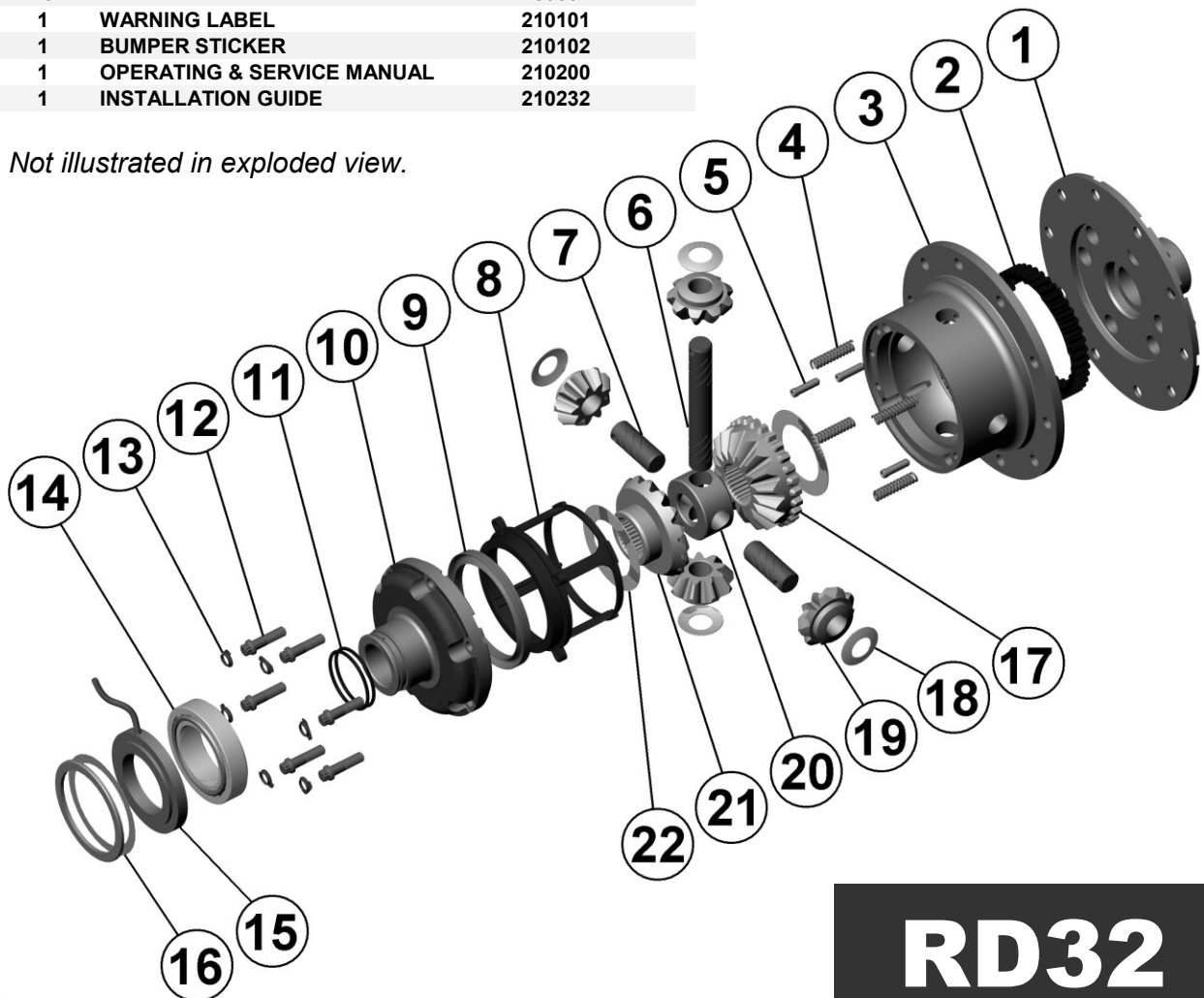
Axle Spline	24 tooth, Ø31.5mm [1.24"]
Ratio Supported	4.70:1
Ring Gear ID	162.0mm [6.38"]
Ring Gear Bolts	12 bolts on Ø191mm [7.50"]
Ring Gear Torque	136Nm [100 ft-lb]
Backlash	0.15-0.27mm [0.006-0.011"]
Bearing Cap Torque	134Nm [99 ft-lb]
Pre-load Amount	0.13mm [0.005"]

ITEM #	QTY	DESCRIPTION	PART #	NOTES
01	1	FLANGE CAP	021102	
02	1	CLUTCH GEAR	050202	
03	1	DIFFERENTIAL CASE	011303	
04	4	RETURN SPRING	150101	
05	3	CROSS SHAFT RETAINING PIN	120303	
06	1	LONG CROSS SHAFT	060205	
07	2	SHORT CROSS SHAFT	060402	
08	1	PISTON	040202	
09	1	BONDED SEAL	160705	
10	1	CYLINDER CAP	030503	
11	2	SEAL HOUSING O-RING	160207	1
12	8	CYLINDER CAP RETAINING BOLT	200205	
13	8	LOCKING TAB (8mm)	150401	
14	1	TAPERED ROLLER BEARING	160107	2
15	1	SEAL HOUSING	080701	
16	1	SHIM KIT	SHK001	
*	1	MASTER SHIM	150330	
17	1	SPLINED SIDE GEAR	SEE NOTE	3
18	4	PINION THRUST WASHER	151102	
19	4	PINION GEAR	SEE NOTE	3
20	1	SPIDER BLOCK	070201	
21	1	SIDE GEAR	SEE NOTE	3
22	2	SIDE GEAR THRUST WASHER	151006	
*	1	BULKHEAD FITTING KIT (O-RING TYPE)	170111	
*	1	PUSH-IN FITTING (5mm to 1/8" BSPP)	170201	
*	1	AIR LINE (5mm DIA X 6m LONG)	170301	
*	1	NIPPLE (1/8" to 1/8" BSPT)	170501	
*	1	SOLENOID VALVE (12V)	180103	
*	1	SWITCH	180209	
*	1	SWITCH COVER (REAR)	180211	
*	10	CABLE TIE	180301	
*	1	WARNING LABEL	210101	
*	1	BUMPER STICKER	210102	
*	1	OPERATING & SERVICE MANUAL	210200	
*	1	INSTALLATION GUIDE	210232	

Notes:

- 1 For replacement O-rings use only BS136 Viton 75
 - 2 For replacement bearing use Timken part # 387A / 382A.
- For ratios of 3.54:1 refer to RD20 ([Section 2.20](#)).
- For information on RD32 models with metal pistons, contact ARB.
- This axle suits Dana 60 cover assemblies.
- 3 Available only as complete 6 gear set # 728A051

* Not illustrated in exploded view.



RD32

