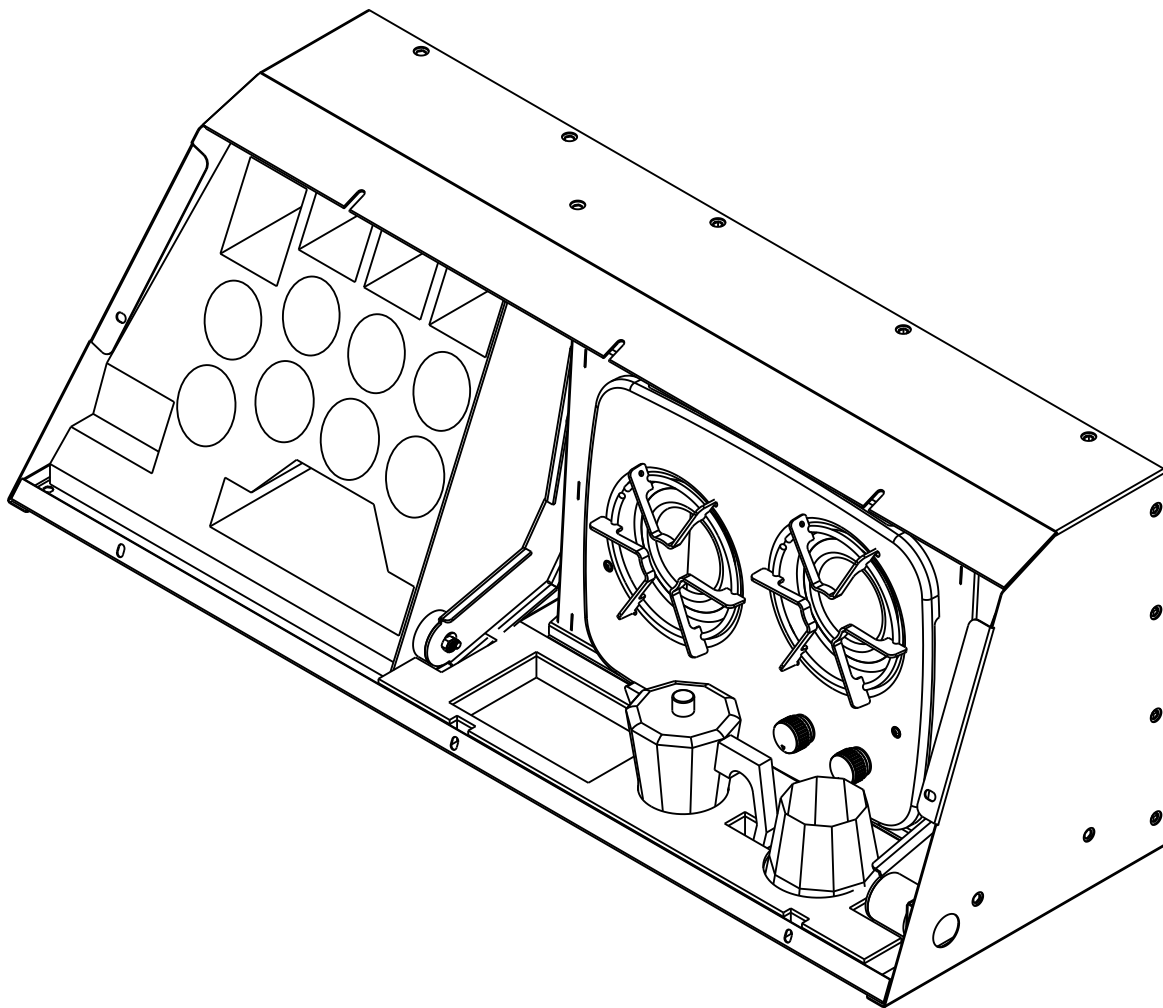


SMARTCAP

SmartKitchen - Mid Size Pickups



FOLLOW INSTRUCTIONS CAREFULLY TO AVOID DAMAGE TO COMPONENTS OR THE VEHICLE

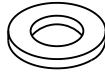
RSISMARTCAP.COM - SUPPORT.NA@RSISMARTCAP.COM - NORTH AMERICA



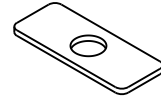
COMPONENTS



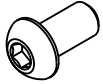
8X M6
NYLOC NUTS



8X M6
FLAT WASHERS

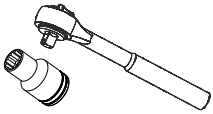


8X LOADSPREADER
PLATES

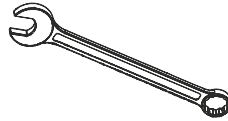


8X M6 X 12
BUTTON HEAD SCREW

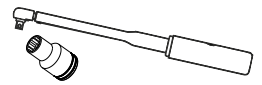
REQUIRED TOOLS



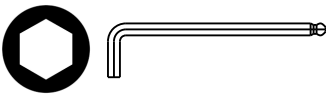
SOCKET AND WRENCH
10mm



COMBINATION WRENCH
10mm FLAT



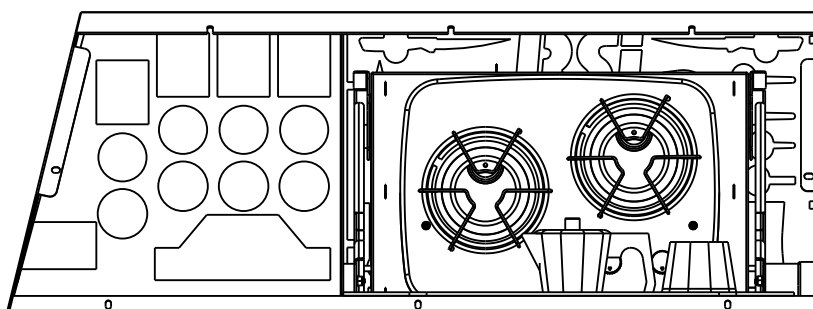
TORQUE WRENCH
10mm



ALLEN KEY SET

GULLWING BOX ORIENTATION:

REAR

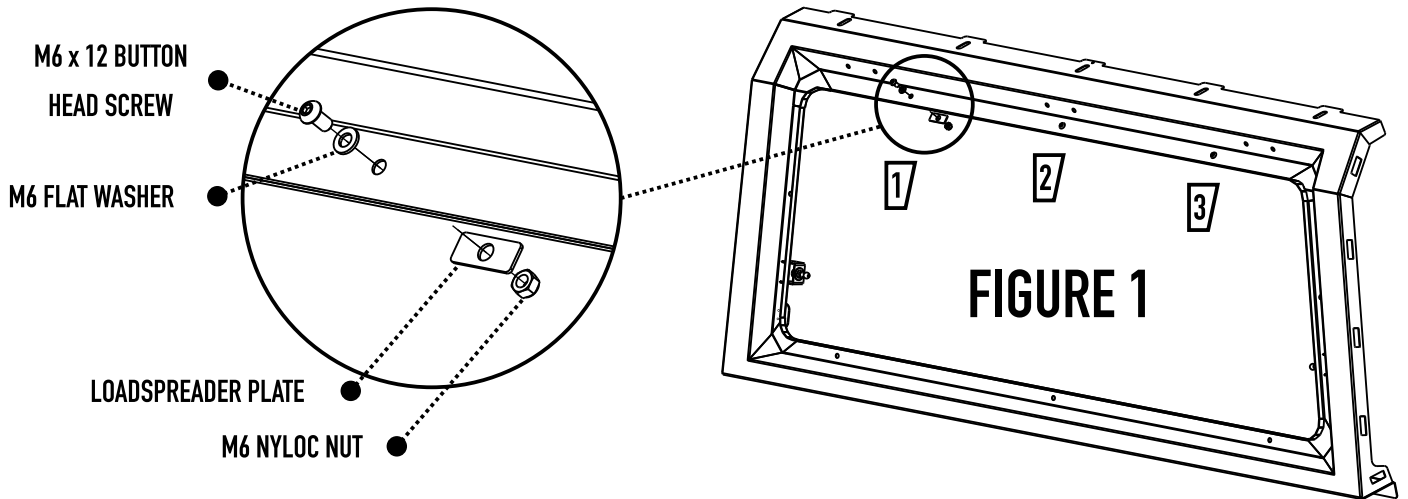


FRONT

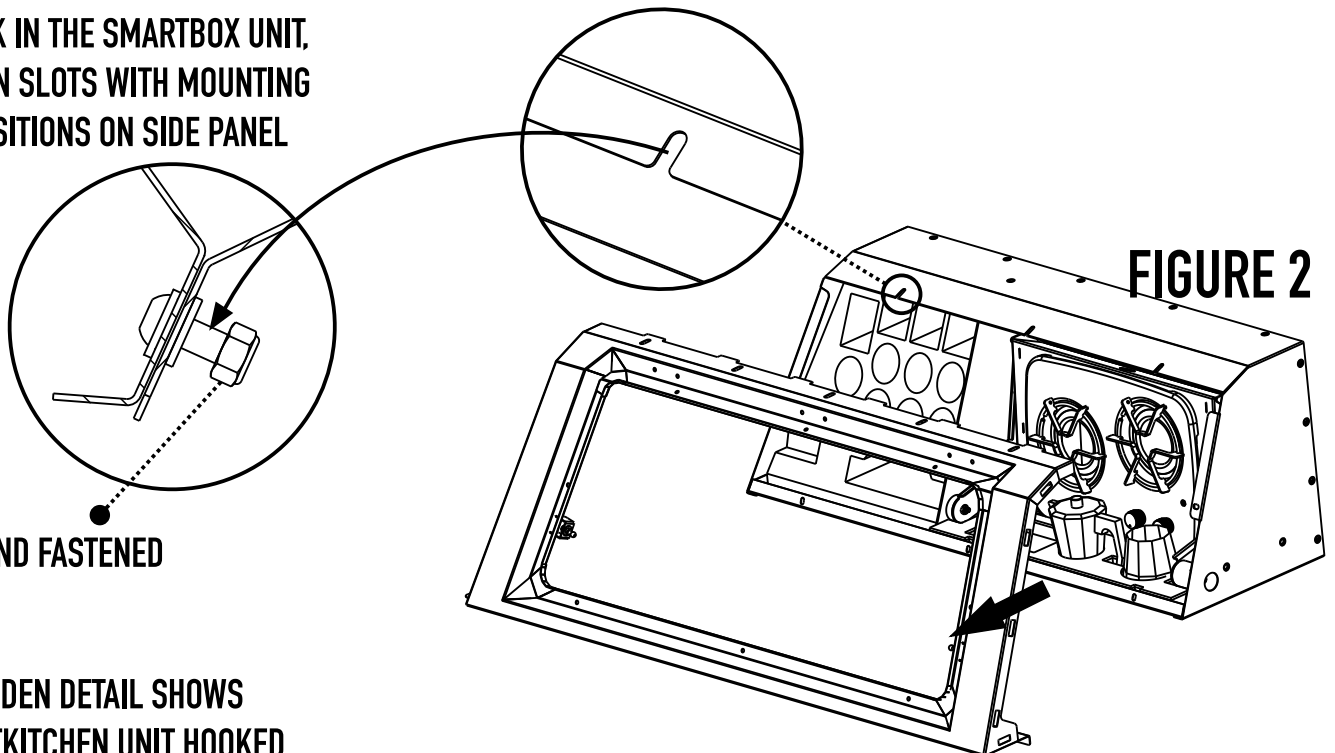
INSTALLATION OF THE ACCESSORY

STEP ONE

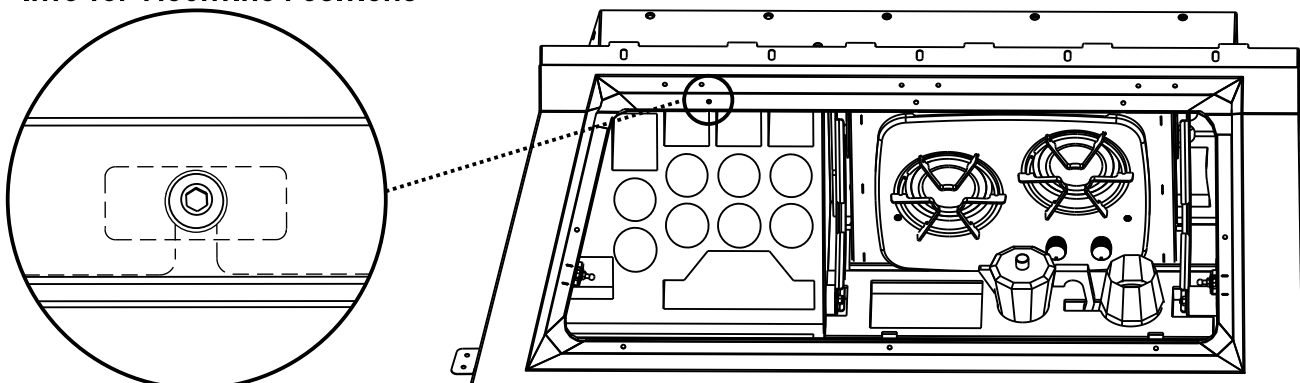
1. REMOVE PLASTIC WHITE CAPS FROM SIDE PANELS AND PROCEED WITH THE FOLLOWING...
2. HAND FASTEN THE HARDWARE ALONG THE TOP MOUNTING FACE ON THE SIDE PANEL. (SEE FIGURE 1)
3. LIFT THE RSI SMARTBOX UNIT AND HOOK INTO POSITION, A MINIMUM OF 2 PEOPLE ARE RECOMMENDED TO LIFT AND ALIGN THE SMARTKITCHEN. (SEE FIGURE 2)



HOOK IN THE SMARTBOX UNIT,
ALIGN SLOTS WITH MOUNTING
POSITIONS ON SIDE PANEL



HIDDEN DETAIL SHOWS
SMARTKITCHEN UNIT HOOKED
INTO TOP MOUNTING POSITIONS



INSTALLATION OF THE ACCESSORY

STEP TWO

1. WHEN THE TOP IS SECURED FOLLOW THE SAME FASTENING METHOD SHOWN IN FIGURE 3 FOR THE REST OF THE MOUNTING POINTS.
2. ALIGN THE LOADSPREADER PLATES WITH SIDE PANEL EDGE.(SEE FIGURE 4)
3. FASTEN ALL FASTENERS TO 9FT-LB.

