

# **ARB** FITTING INSTRUCTIONS

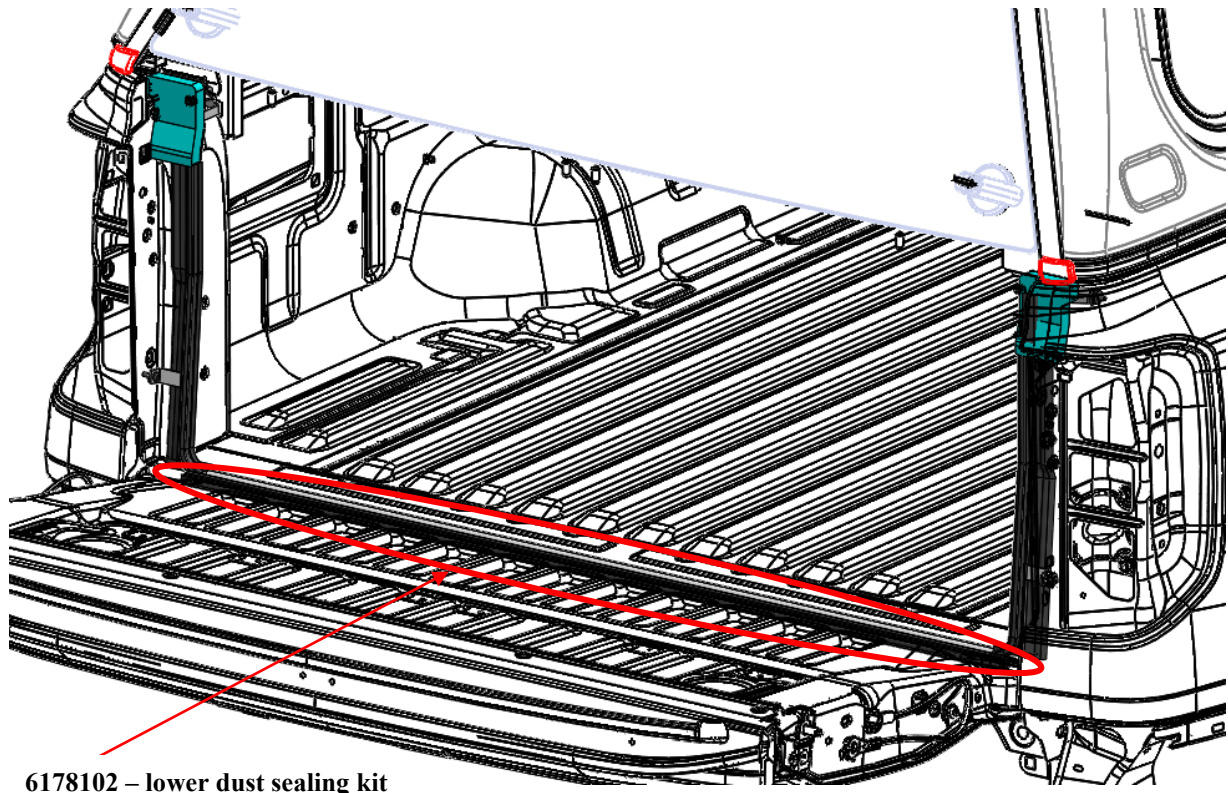
## **6178102 FORD RANGER MY22+ & VW AMOROK MY23+ REAR TUB LOWER DUST SEALING KIT**

**NOTE: THIS IS A SUPPLEMENTARY KIT TO 6178014 REAR TUB SEALING KIT, CUSTOMER TO PURCHASE 6178014 IF NOT ALREADY FITTED TO VEHICLE.**

To Suit Thailand built Ford XL, XLS, XLT, Sport and Raptor Models in Dual CAB & Extra CAB Chassis  
(Kit is not required on Models with Ford OEM Lockable Roll Top, standard on Wildtrak and Platinum)

To Suit South African built VW Core, Life, Style, Pan America and Aventura Models in Dual CAB & Extra CAB Chassis  
(Kit is not required on Models with VW OEM Lockable Roll Top, standard on Aventura)

**This kit is designed to reduce the ingress of dust. The canopy vent on the roof of the canopy should also be opened when driving in dusty conditions.**






**SUPPLEMENTARY FITTING KIT: 6178102**

## IMPORTANT

- ◆ This product must be installed exactly as per these instructions using only the hardware supplied.
- ◆ **Failure to follow instructions precisely may lead to failure of the product.**
- ◆ The installation of this product may require the use of specialized tools and/or techniques.
- ◆ During installation, it is the duty of the installer to check correct operation/clearances of all components.
- ◆ Work safely at all times.
- ◆ Specific installation can vary, so please read the following instructions as they refer to important information, which could affect the quality of the final installation.
- ◆ It is advisable to have these parts fitted by an authorised dealer.
- ◆ **Ensuring that the specified torques are used as contained in this fitting instruction, is imperative, as failure may occur.**
- ◆ IF IN DOUBT CONTACT ARB FOR FURTHER INSTRUCTION.

### HAVE AVAILABLE THESE SAFETY ITEMS WHEN FITTING PRODUCT:

Protective eyewear		Hearing protection		Gloves	
--------------------	---	--------------------	--	--------	---

*NOTE: 'WARNING' notes in the fitting procedure relate to OHS situations, where to avoid a potentially hazardous situation it is suggested that protective safety gear be worn or a safe work procedure be employed. If these notes and warnings are not heeded, injury may result.*

### TOOL LIST FOR FITMENT:

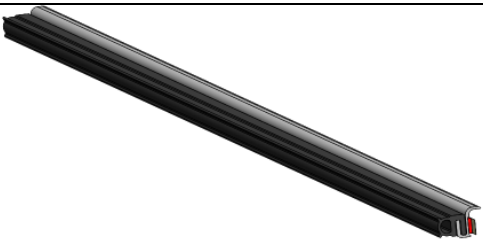

<ul style="list-style-type: none"><li>• Sharp shears</li><li>• T30 Torx key</li><li>• Torque Wrench</li></ul>	<ul style="list-style-type: none"><li>• Pliers</li><li>• Rags</li></ul>
---	---

## **!! IMPORTANT !!**

**REQUIRED SCREW TORQUES: Refer to steps in fitting instruction**



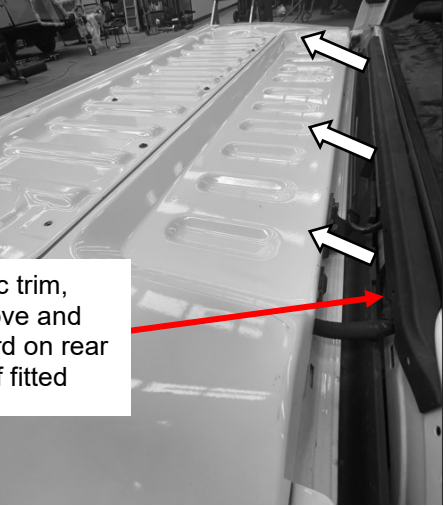
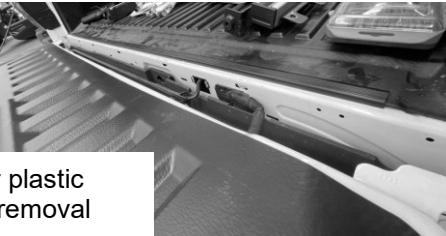
**Screw torques must be adhered to. Over torquing can cause failure of components.**

## THE FITTING KIT CONTAINS:

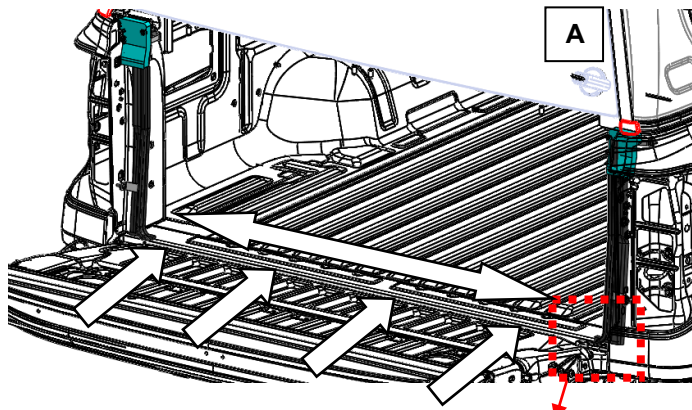
KIT	Part No	Picture	Qty	Description
Box Kit 6178102	668AM002		1	REAR TAILGATE ALUMINIUM EXTRUSION WITH TAPE & PINCHWELD SEAL
	6602018		1	ALCHOL SWAB

## SECTION 1: FITTING LOWER EXTRUSTION TO REAR TUB

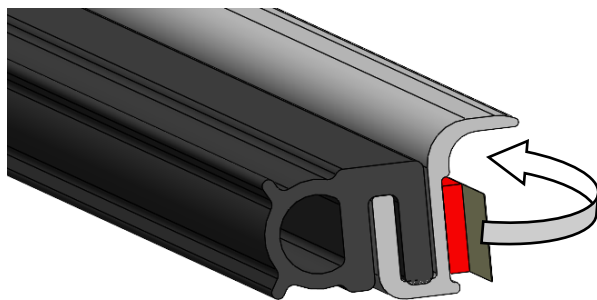
### Section 1: FITTING LOWER EXTRUSTION TO REAR TUB

 	<p>2.0) Unpack the tailgate extrusion assembly (668AM002) and alcohol wipe (6602018).</p>
 <p>Plastic trim, Remove and discard on rear floor if fitted</p>  <p>After plastic trim removal</p>	<p>2.1) <b>NOTE:</b> For VW Amarok and some Ford Ranger models with the plastic trim on the rear of the Tub floor, <b>remove</b> and <b>discard plastic trim</b> and go to next step.</p>

2.2) With the tailgate open, clean the entire length of the rear vertical face of the rear tub floor, between the lower ends of the tailgate sealing brackets as assembled to the vehicle shown at (B) with the alcohol wipe (6602018).

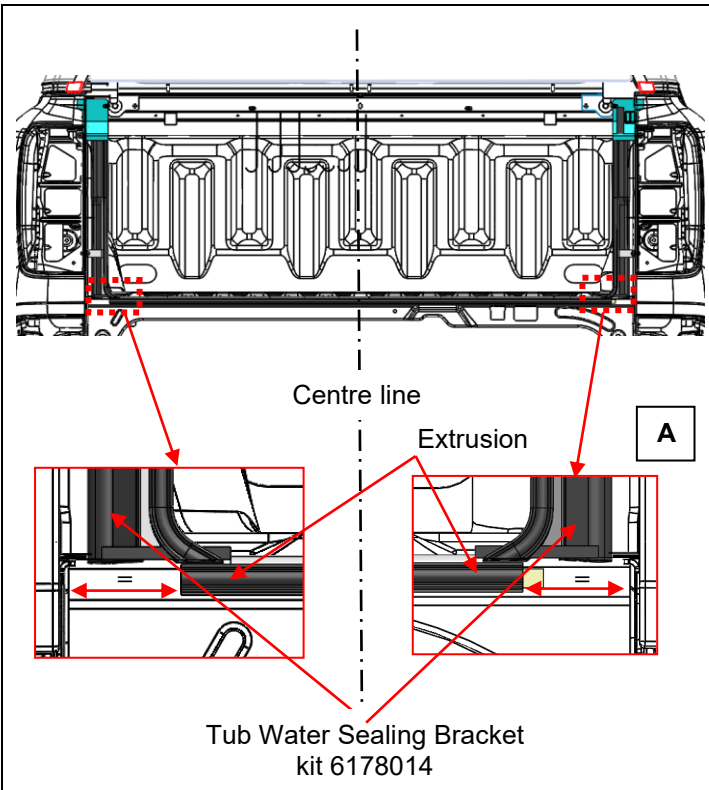


2.3) Peel off the lining from the double-sided tape on the back of the aluminium extrusion (668AM002).

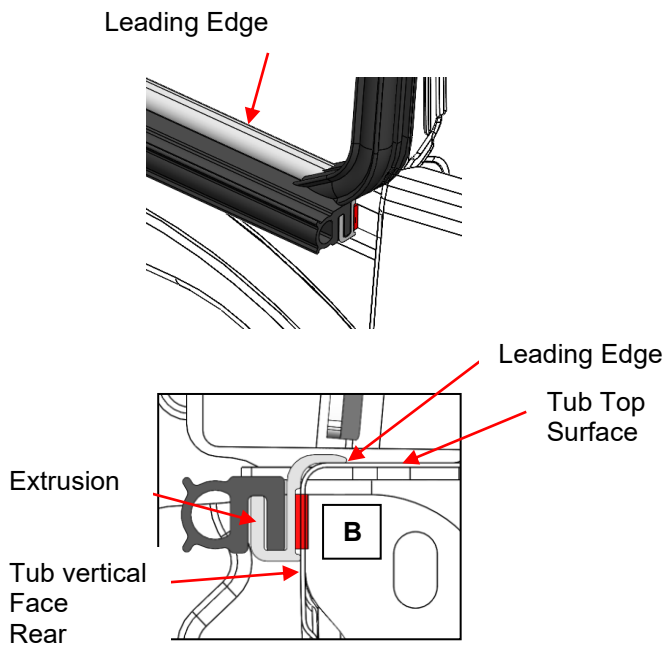




2.4) Measure and position the aluminium extrusion's (668AM002) centre between each of the rear tailgate sealing brackets (A).



2.5) When positioning the aluminium extrusion, the leading edge of aluminium extrusion should be sitting flat on the top surface of tub and the taped side to the vertical face of the rear edge of the tub's floor (B).



2.6) Check Lower Dust kit is secure and installed correctly. Check tailgate operation by opening and closing it, ensuring the tailgate functions and the seals makes contact to the lower angled face of the tailgate. Installation is now complete.

