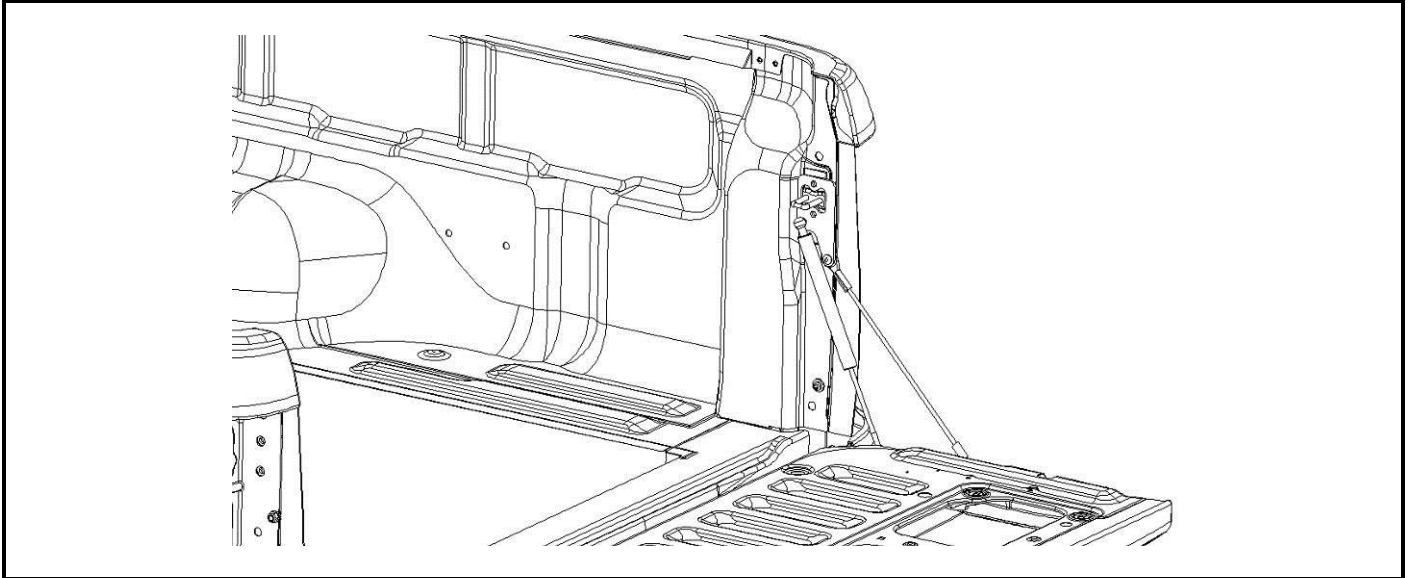


# **ARB** FITTING INSTRUCTIONS

## **4740040 FORD RANGER PX, PXII, PXIII AND MAZDA BT50 2011+ TAILGATE ASSIST**






**FITTING KIT: 6176989**

### **IMPORTANT**

- ◆ This product must be installed exactly as per these instructions using only the hardware supplied.
- ◆ Failure to follow instructions precisely may lead to failure of the product or result in injury and/or damage to vehicle
- ◆ The installation of this product may require the use of specialized tools and/or techniques.
- ◆ During installation, it is the duty of the installer to check correct operation/clearances of all components.
- ◆ Work safely at all times.
- ◆ Specific installation can vary, so please read the following instructions as they refer to important information, which could affect the quality of the final installation.
- ◆ It is advisable to have these parts fitted by an authorised dealer.
- ◆ **Ensure that the specified torques are used as contained in this fitting instruction is imperative, as failure may occur.**
- ◆ IF IN DOUBT CONTACT ARB FOR FURTHER INSTRUCTION.

### **HAVE AVAILABLE THESE SAFETY ITEMS WHEN FITTING PRODUCT:**

|                    |   |                    |  |        |   |
|--------------------|---|--------------------|--|--------|---|
| Protective eyewear |  | Hearing protection |  | Gloves |  |
|--------------------|---|--------------------|--|--------|---|

*NOTE: 'WARNING' notes in the fitting procedure relate to OHS situations, where to avoid a potentially hazardous situation it is suggested that protective safety gear be worn or a safe work procedure be employed. If these notes and warnings are not heeded, injury may result.*

**CARE INSTRUCTIONS:**

In general, the Tailgate Assist system is maintenance free with no need for regular attention. However the following should be noted:-

- ◆ Gas tension springs are open systems. As such, avoid that dirt or other particles get into the tension spring through the ventilation hole in the cylinder end.
- ◆ When cleaning, use a non caustic soap and avoid aiming high pressure water jets into the seal area.
- ◆ If grinding noises come from the ball sockets, remove the ball sockets (being careful not to lose or damage the clip) and clean any grit from the ball socket and ball.
- ◆ Avoid excessive heat (greater than 80°C)
- ◆ DO NOT grip piston rod with pliers, vice or similar (avoid scratching, denting or bending the rod).
- ◆ Avoid paint overspray, weld or grinding splatter, or materials such as glue.
- ◆ Avoid cleaning products that leave a coating such as silicones.
- ◆ Avoid applying adhesive tape to the piston rod.

**TOOL LIST FOR FITMENT:**

|  |  |
|--|--|
| <ul style="list-style-type: none"> <li>• Torque Wrench</li> <li>• Socket driver</li> <li>• Torx socket or key set</li> <li>• Allan socket or key set</li> <li>• Drill with 8.5mm drill bit</li> <li>• Rust proofing paint</li> <li>• Felt tip marking pen (non permanent)</li> </ul> |  |
|--|--|

**FITTING IS UNDERTAKEN IN THE FOLLOWING STEPS:**

1. Fitting the kit RHS
2. Fitting the kit LHS





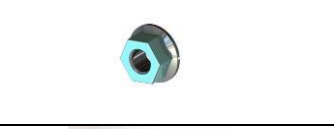






**!! IMPORTANT !!**

**REQUIRED SCREW TORQUES: Refer to steps in fitting instruction**

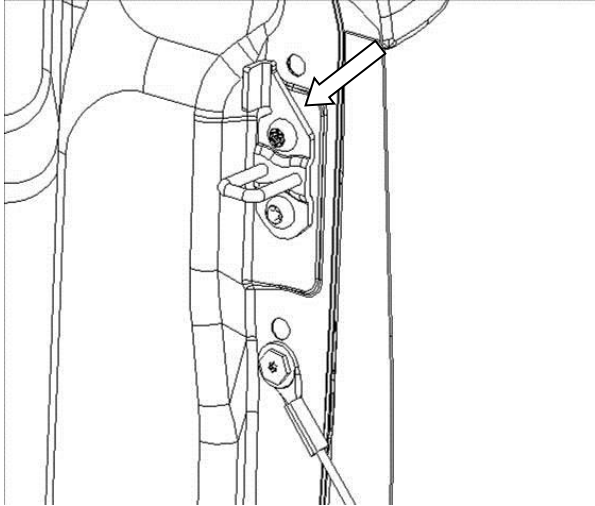
**Screw torques must be adhered to. Over torqueing can cause failure of components.**

**THE FITTING KIT CONTAINS:**

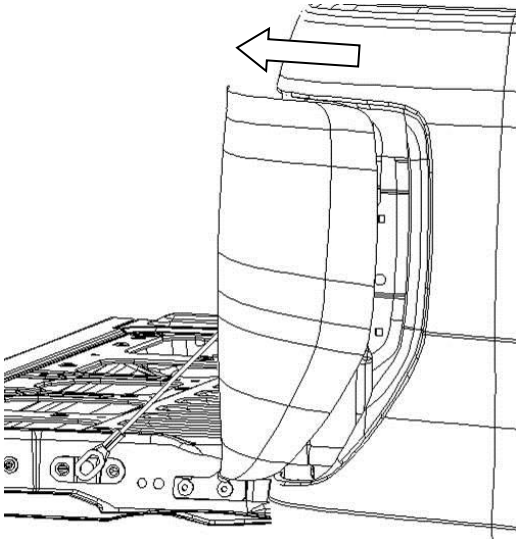
| 1. 6176989 | Part No  | Picture   | Qty | Description              |
|------------|----------|---|-----|--------------------------|
|            | 3195061R |  | 1   | UPPER BALL STUD MOUNT RH |
|            | 3195061L |  | 1   | UPPER BALL STUD MOUNT LH |
|            | 3195063R |  | 1   | LOWER BALL STUD MOUNT RH |

|  |          |   |   |                            |
|--|----------|---|---|----------------------------|
|  | 3195063L |    | 1 | LOWER BALL STUD MOUNT LH   |
|  | 4590023  |    | 1 | LIFT SPRING STRUT          |
|  | 4590027  |    | 1 | DAMPENING STRUT            |
|  | 4584328  |    | 2 | M8 FLAT WASHER 1.2MM THICK |
|  | 6151548  |    | 2 | M8 FLANGE NUT              |
|  | 6151877  |    | 4 | M10 BUTTON HEAD CAP SCREW  |
|  | 6151874  |   | 2 | M8 BUTTON HEAD CAP SCREW   |
|  | 5848468  |  | 2 | SPACER CABLE TAILGATE      |
|  | 6151876  |  | 2 | SCREW SELF TAPPING PLASTIC |
|  | 4584341  |  | 2 | WASHER M5 X 19             |
|  | 2125702  |  | 1 | WARNING LABEL              |

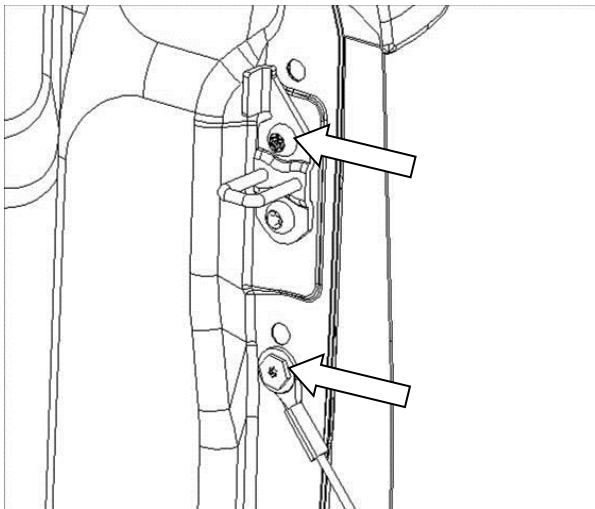
## Section1: FITTING RHS ASSIST



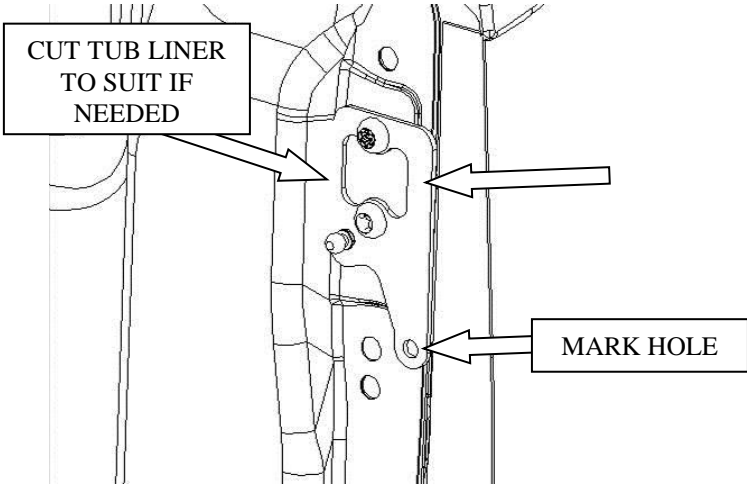
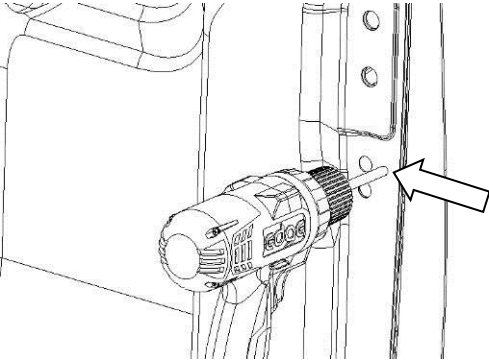

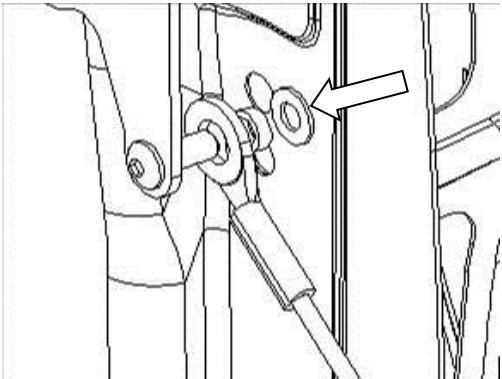
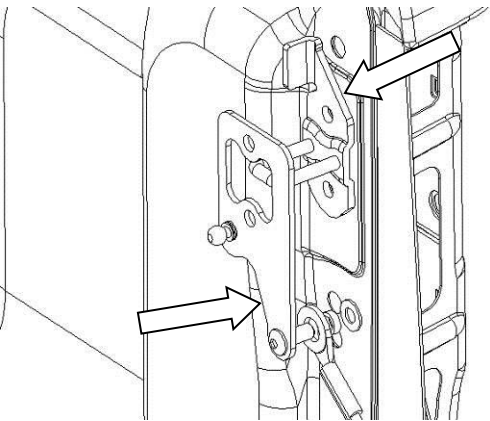
- 1.0) Using a non-permanent felt tip pen mark the outer edge of the tailgate latch on tub. This is done to enable the latch to be tightened in it's original position.

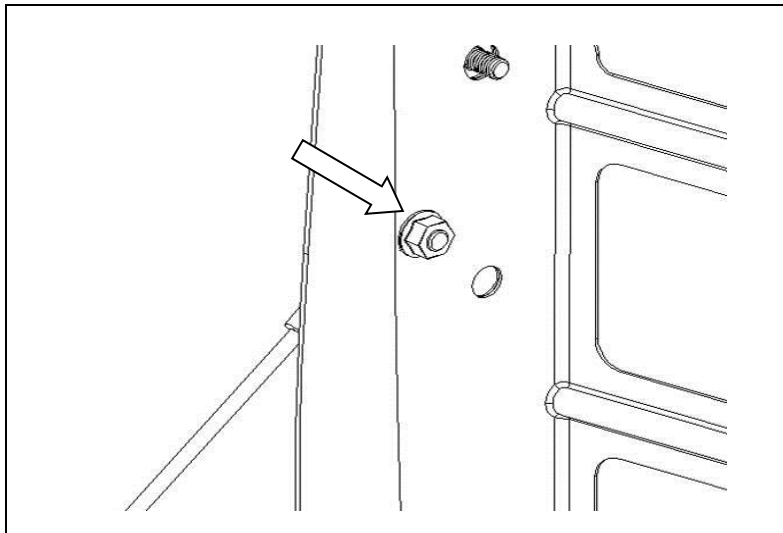


- 1.1) Remove the screws mounting the tail light to tub. These are located on the inner panel near the door latch. NOTE: Only upper light on BT50 needs to be removed. Carefully remove the tail light by sliding rearwards. A gentle tap rearwards may be required to free it from it's locating tabs. Place the tail light in a safe location.

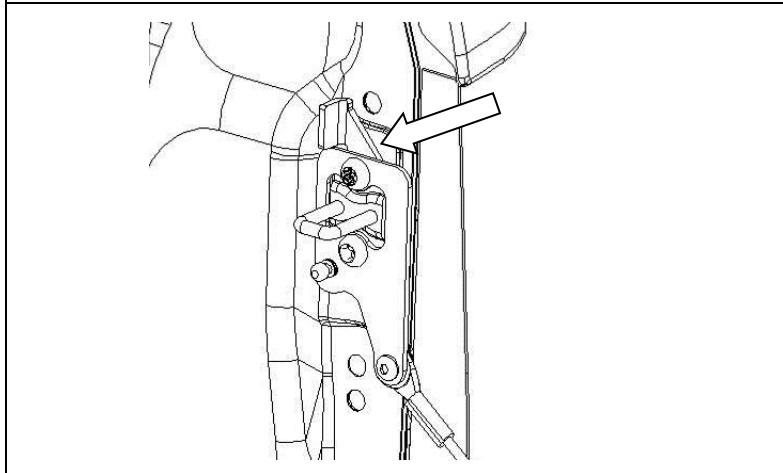


- 1.2) Using a T50 Torx bit remove and retain latch fasteners. On the RH side only and using a T40 Torx bit remove and discard tailgate limiting strap bolt. Remove the strap from tailgate and set aside. This will be re-used.

|   |   |
|---|---|
|    | <p>1.3) Place mounting bracket (3195061R) against the tub and fasten with original Torx screws. The latch bracket is not required yet. Check for clearance around the tub plastic liner (if equipped) on rear edge of bracket. If needed mark the tub liner and trim to suit bracket. Using a felt tip pen mark the hole position on the tub through the new strap retaining hole. When completed remove bracket and set aside.</p> |
|   | <p>1.4) Drill marked hole out to 8.5mm. De-burr and paint when complete.</p>   |
|  | <p>1.5) Through the lower hole of bracket (3195061R) place M8 cap screw (6151874). Then place the original cable (round eye end) over screw followed by spacer (5848468) and M8 flat washer (45814328).</p>   |
|  | <p>1.6) Now place bracket assembly (3195061R) as prepared in step 1.5 to tub of vehicle making sure to fit the original latch plate between the mounting bracket and the vehicle tub. Loosely secure to the vehicle with original Torx head screws. <b>DO NOT TIGHTEN.</b></p>  |

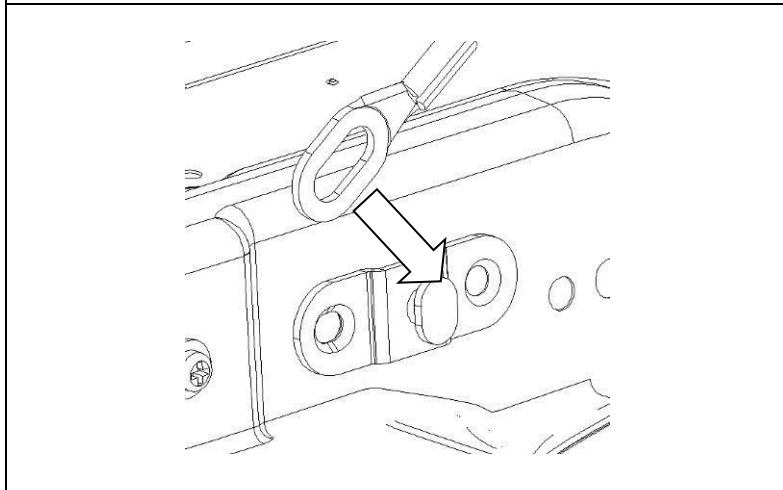


1.7) From the inside of the tail light cavity fit an M8 flange nut (6151548) to M8 cap screw (6151874).

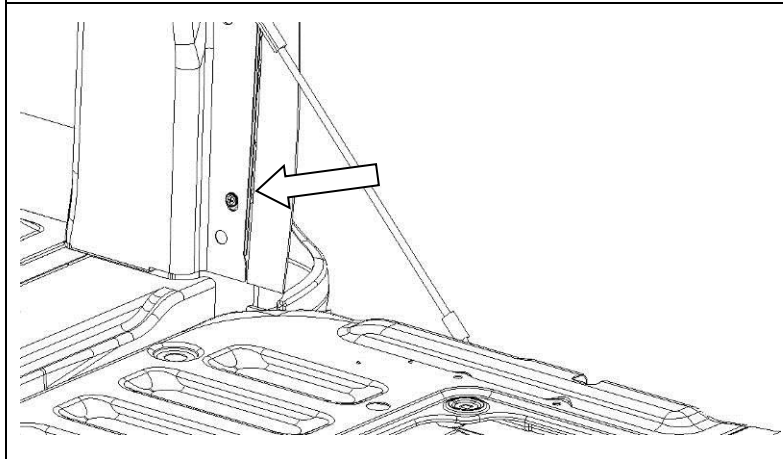


1.8) With all fasteners now in place align the latch bracket to the mark on tub as done in step 1.0.

When satisfied **tighten all fasteners to 22Nm.**



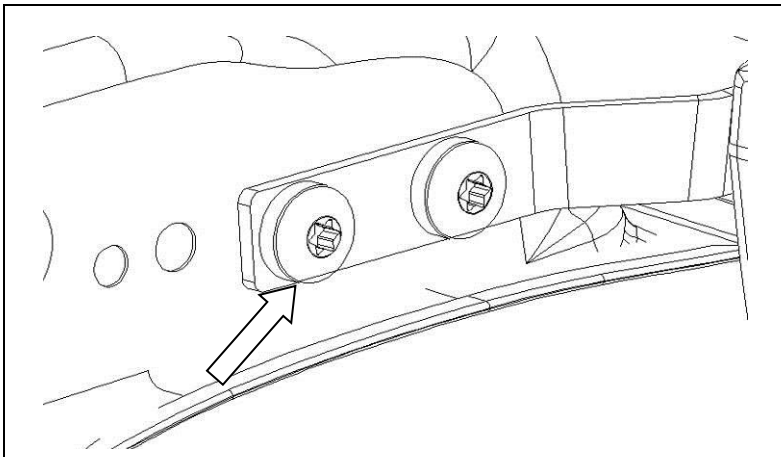
1.9) Lift the tailgate up and re-attach the strap to the mount. Place the tailgate back in the open position.



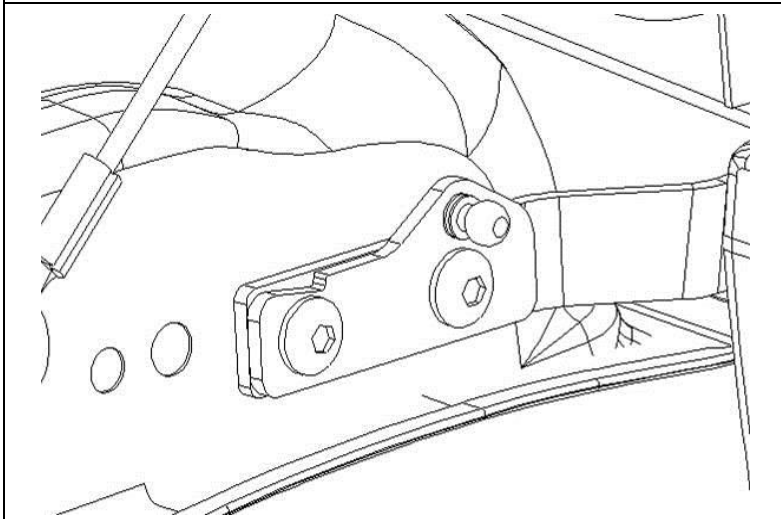
1.10) At this stage re-fit the RH side tail light using an original screw for the top hole and a supplied self-tapping screw (6151876) and M5 flat washer (4584341) for the lower hole only.

**NOTE:-**

MAZDA BT50 tail light assemblies will require some manipulation to refit due to cable bolt location. Gently work the light around the cable bolt then clip into position.

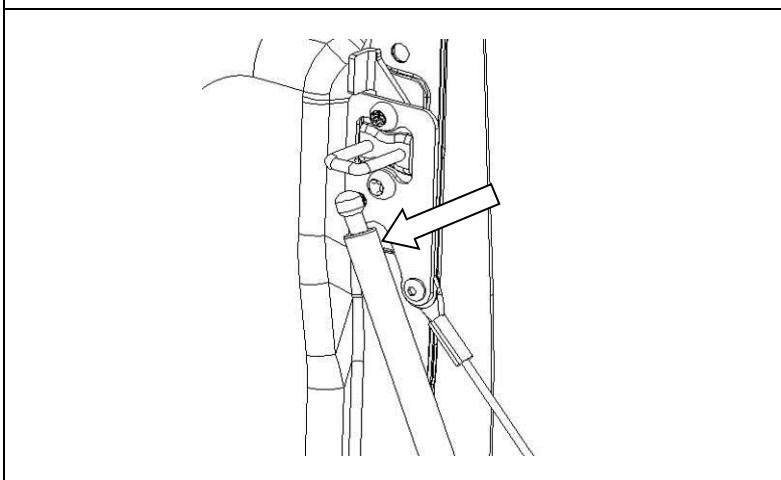


1.11) Using a T50 Torx bit remove and discard the two lower hinge bolts.

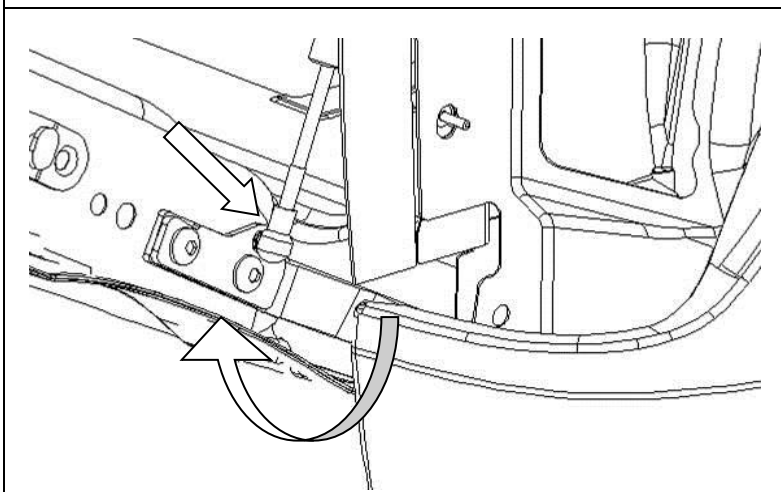


1.12) Fit lower mounting bracket (3195063R) to the tailgate using supplied M10 button head cap screws (6151877).

**Tighten to 44Nm** when done.

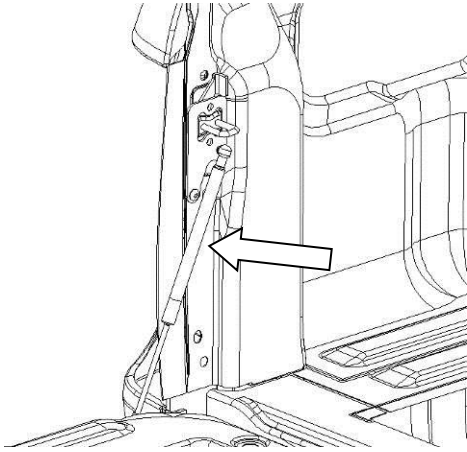


1.13) Fit the larger body spring assist strut (4590023) to the upper ball stud as shown. **DO NOT REMOVE EXTENSION CLIP YET.** Ensure it has correctly clicked in and that piston rod is facing downwards.



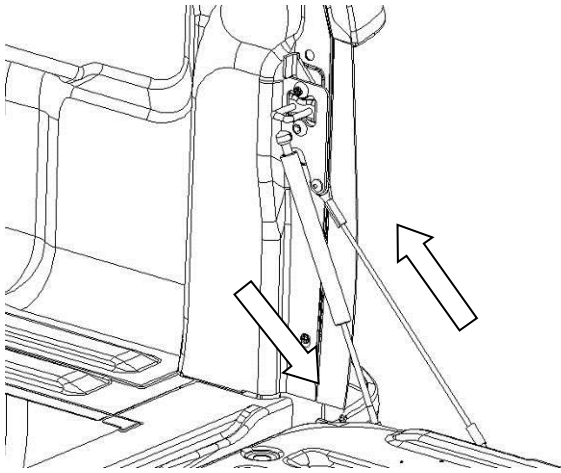
1.14) Fit the lower end of strut to tailgate bracket by lifting the tailgate up and attaching to ball stud. Once attached lower the tailgate and remove the safety clip. Place the safety clip in vehicles glovebox.

## Section 2: FITTING LHS ASSIST

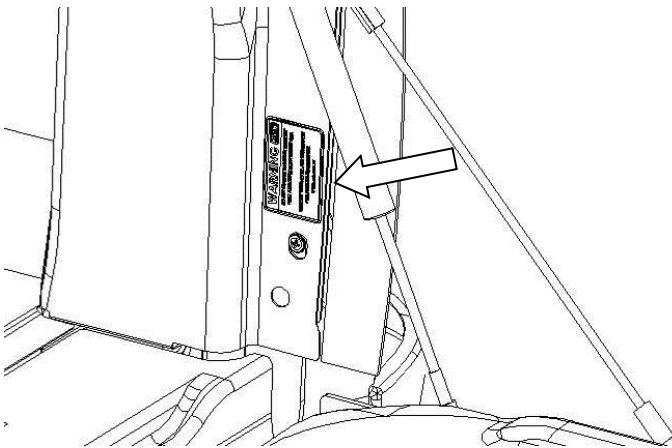


- 2.1) Use the same procedure as mentioned in section 1 for the LH side components except to place the narrower body strut onto the ball studs (4590027). This strut is a damper and it's piston can be moved inwards and outwards by adjustment to help with alignment.

**Ensure M8 fasteners on LH side are torqued to 22Nm and M10 fasteners are torqued to 44Nm.**



- 2.2) When complete open and close the tailgate to ensure correct operation. Make sure there is no binding, cables protruding or contact of struts to the vehicle tailgate or body of the vehicle.



- 2.3) Fit warning label to vehicle tub as shown in the image. It must be fitted to the larger spring assist side and placed just above the lower tail light mounting screw.