



RHINO-RACK

CONTROLLED

31126 - Universal and Sunseeker Awning Kit

Place these instructions in the vehicle's glove box after installation is complete.

Important: Please read these instructions carefully prior to installation. Please refer to your fitting instruction to ensure that the roof racks are installed in the correct locations. Check the contents of kit before commencing fitment and report any discrepancies.

Rhino-Rack
3 Pike Street, Rydalmere,
NSW 2116, Australia.
(Ph) (02) 9638 4744 (Fax) (02) 9638 4822

Document No: R671
Prepared By: Kayle Everett
Authorised By: Chris Murty

Issue No: 03
Issue Date: 02/03/2016

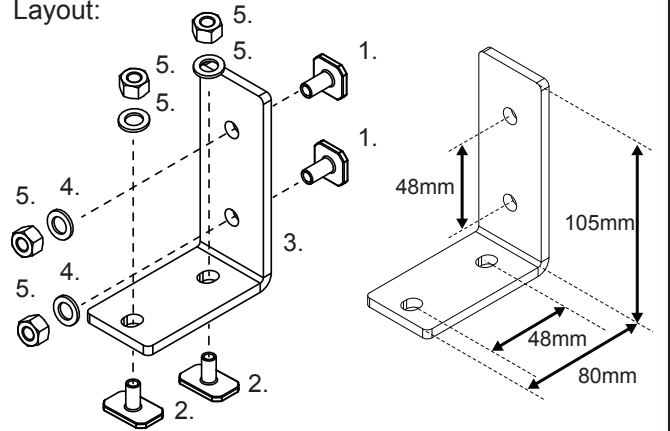
These instructions remain the property of Rhino-Rack Australia Pty Ltd and may not be used or changed for any other purpose than intended.

Warning: Not to be used with unsupported Awnings. Vertical legs must always be used to support the weight of the awning.

Parts List

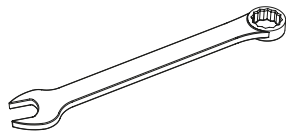
Item	Component Name	Qty	Part No
1	M8 x 16 Square HD T-Bolt	4	B018
2	M8 x 19 x 45 HD T-Bolt	4	B222
3	Universal Awning Bracket	2	CA1409
4	M8 Flat Washer	8	W020
5	Nyloc Nut	8	N028
6	Instructions	1	R671

Layout:



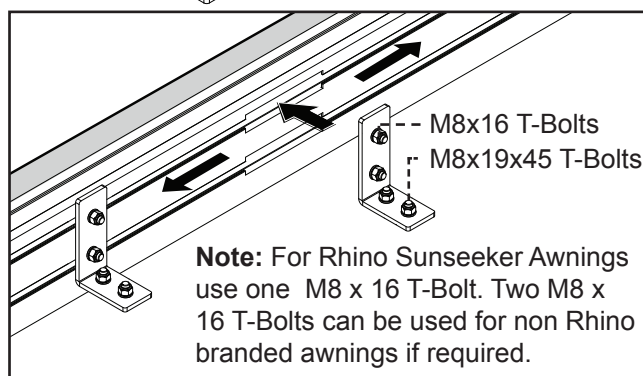
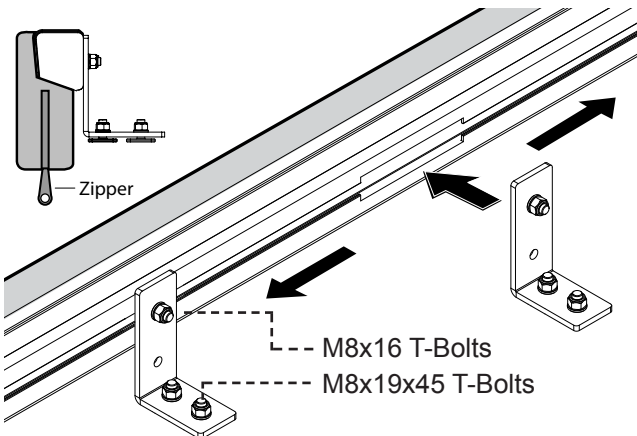
Tools Required:

13mm Spanner or ratchet



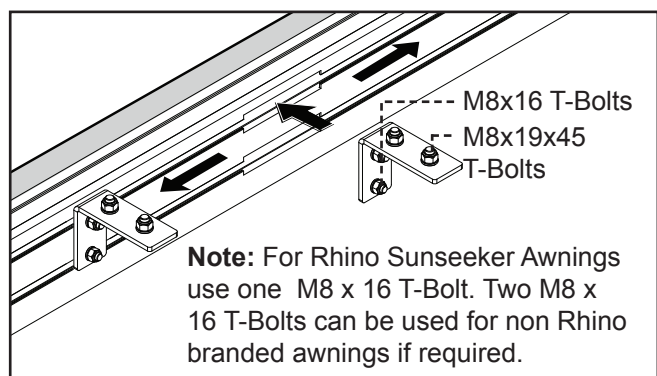
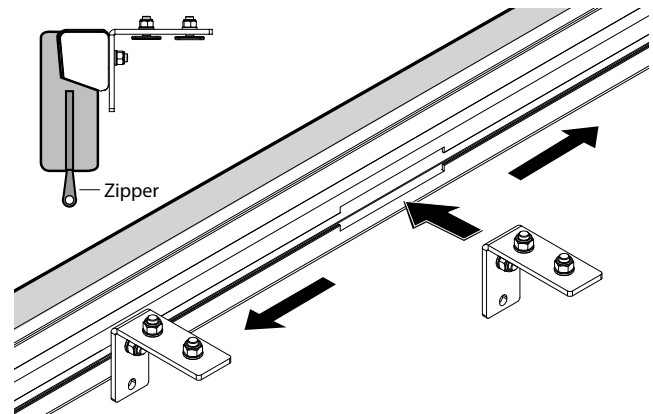
Option A

Assemble the brackets and slide them into the Awning in an upright position. Finger tighten.



Option B

Assemble the brackets and slide them into the Awning in a lowered position. Finger tighten.



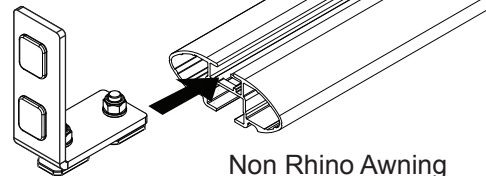
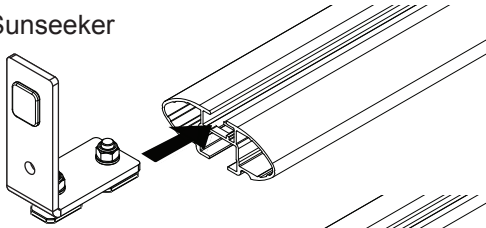


31126 - Universal and Sunseeker Awning Kit

Aero Crossbar Fitment

With the Bracket inserted into the Awning, slide the unit into the 'C' Channel of the Aero Bar, front and rear. Tighten with a 13mm wrench.

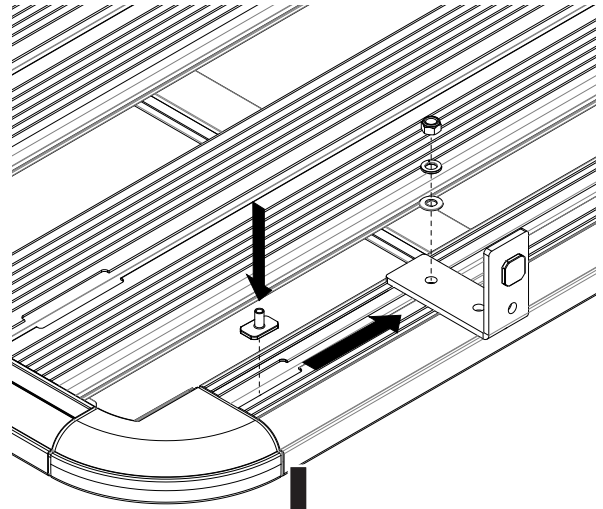
Rhino Sunseeker Awning



Non Rhino Awning
(Number of T-Bolts used will vary).

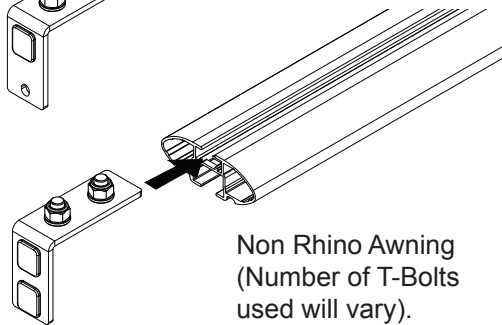
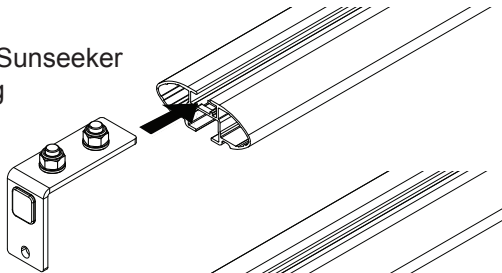
Pioneer Tray Fitment

Attach the brackets to the Pioneer Tray front and rear. Note: Only one M8 19x45 T-Bolt is required per bracket. Tighten with a 13mm wrench.



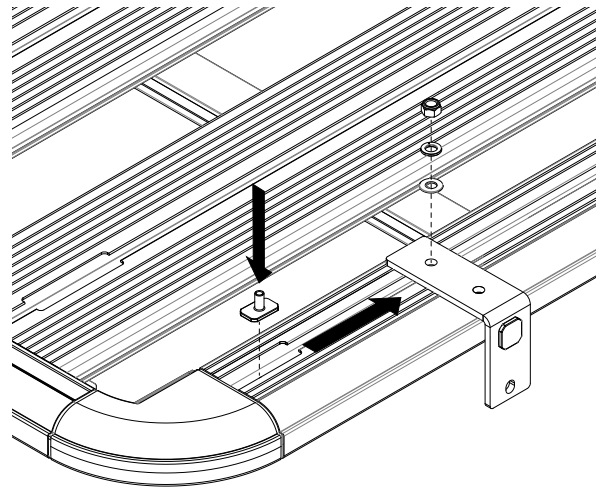
The Brackets can slide into the Aero Bar in a lowered position. Note, the awning will sit in a slightly lower position on the vehicle. Tighten with a 13mm wrench.

Rhino Sunseeker Awning



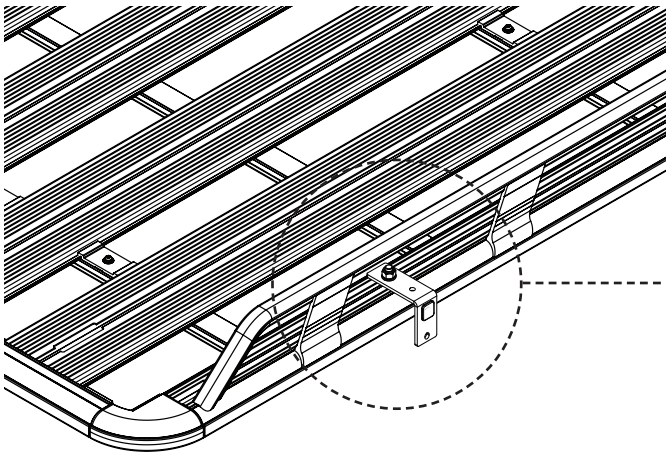
Non Rhino Awning
(Number of T-Bolts used will vary).

The Brackets can slide into the Pioneer in a lowered position. Note, the awning will sit in as lightly lower position on the vehicle. Tighten with a 13mm wrench.

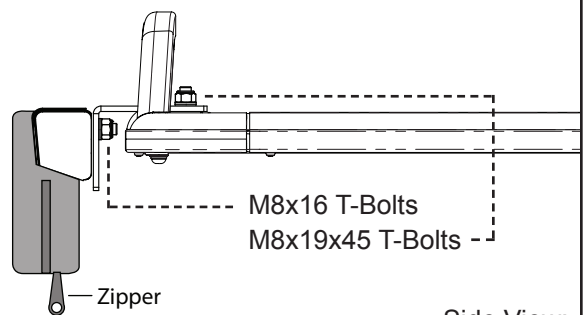


Tradie Tray Fitment

For installation into the Tradie Tray, fix the brackets in the lowered position as shown.



Non Rhino Awning (Number of T-Bolts used will vary).



M8x16 T-Bolts

M8x19x45 T-Bolts

Zipper

Side View: