



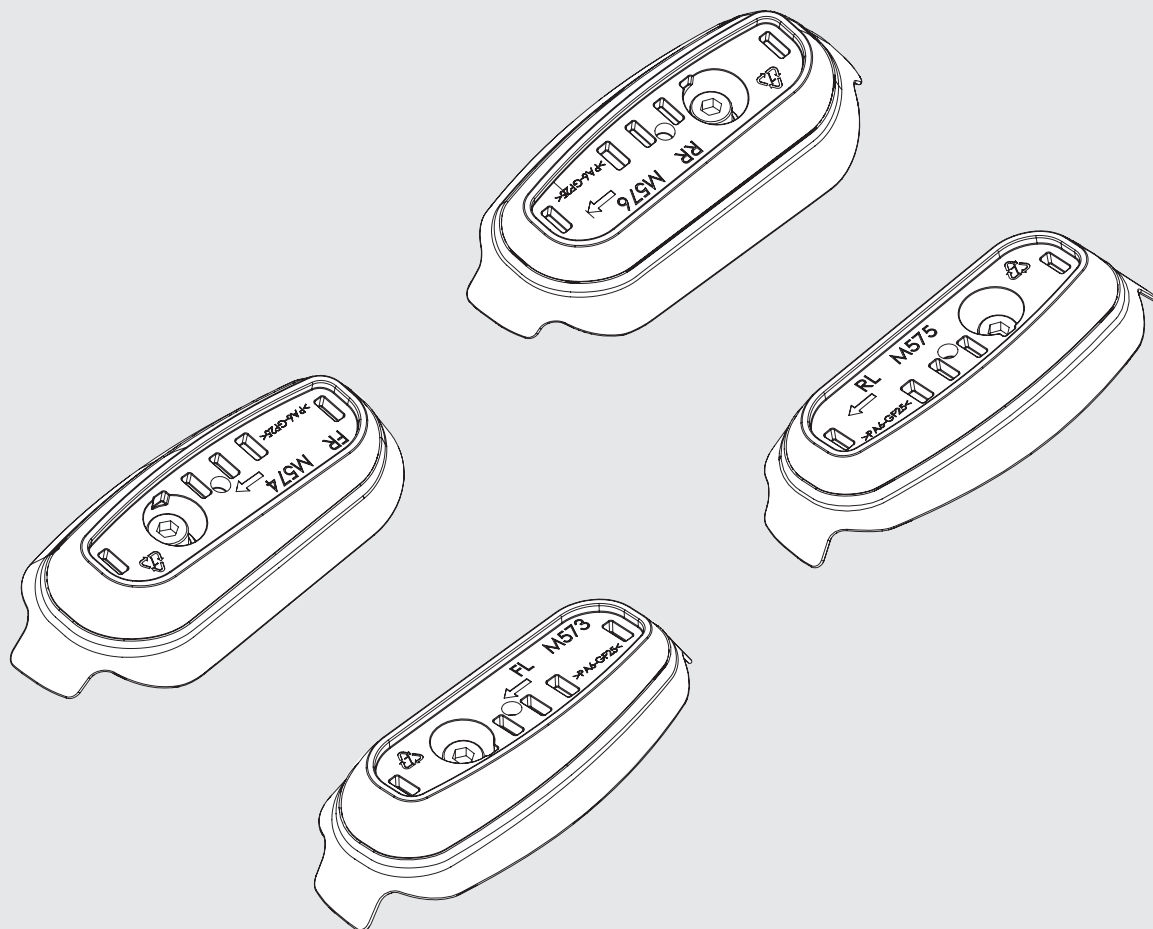
# RHINO-RACK

## ISUZU D-MAX GEN 3 / MAZDA BT-50 GEN 3 BASE KIT - RCP71-BK

### Important:

1. Check the Rhino-Rack website to ensure you have the latest issue of these instructions.
2. Please refer to your fitting instruction to ensure that the roof racks are installed in the correct locations.
3. Check the contents of kit before commencing fitment and report any discrepancies.
4. Place these instructions in the vehicle's glove box after installation is complete.
5. These instructions must be followed for warranty to be upheld.

**Fit Time:** 1 hour

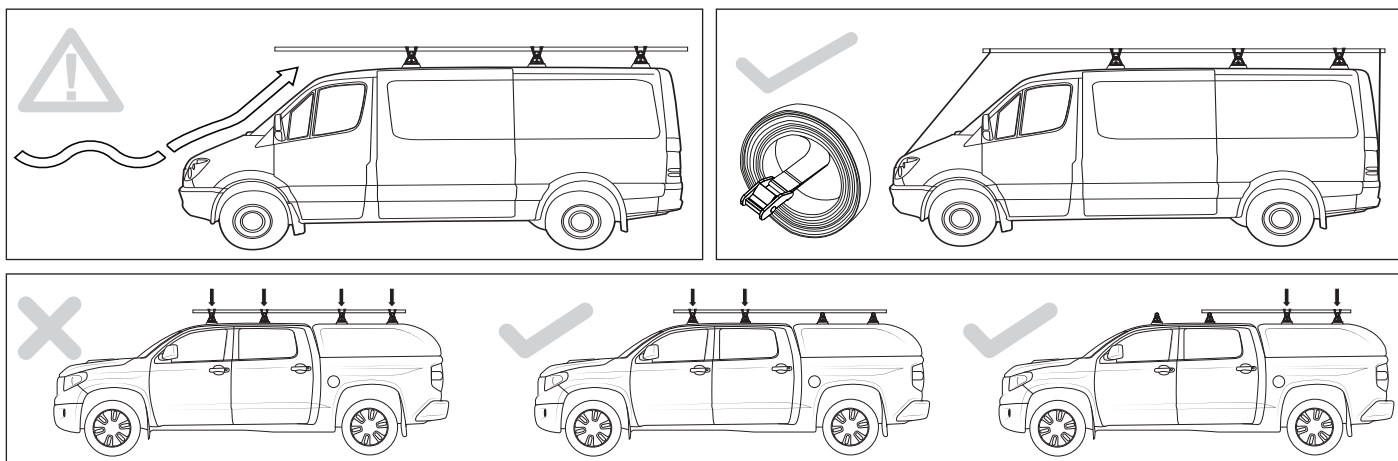


### Rhino-Rack,

22A Hanson Pl, Eastern Creek  
NSW 2766, Australia  
(02) 8846 1900  
rhinorack.com.au

Document No: R2624  
Issue No: 02  
Issue Date: 26/11/2020

## RCP71-BK Instructions



ON ROAD CARGO ALLOWANCE (OR)	OFF ROAD CARGO ALLOWANCE (OFR)	VEHICLE ROOF LOAD LIMIT (VLL)	SYSTEM WEIGHT (SW)
$(OR) = (VLL) - (SW)$	$(OFR) = (OR) / 1.5$	Up to 100kg / 220lb (CHECK VEHICLE OWNERS HANDBOOK FOR SPECIFIC FIGURE).	0.5kg / 1lb + Legs + Crossbars/Platform

### Carrying Capacity

Check your vehicle owners hand book for vehicle maximum carrying capacity. Please ensure you use the vehicle manufactures maximum roof allowance if it is lower than the figure listed in this instruction.

Load must be evenly distributed over the system.

**Off Road:** Any driven path taken that does not contain a surface protection layer (tar/bitumen).

**Vehicle Load Limit:** Total permissible weight attached to the roof of the car. This is inclusive of the weight of the roof rack system.

**System Load Limit:** Total permissible weight allowed on top, and attached to roof racks whilst the vehicle is in motion.

### Torque Settings

Unless stated otherwise in these instructions, all fasteners should be set to the following torque settings - M6: 4-5Nm (3-4lbs/ft), M8: 8-10Nm (6-7.5lbs/ft) and M10: 16-18Nm (12-13lbs/ft).

### Warning

- Check part number/ or kit is correct for use with your vehicle.
- Do not attempt to fit the rack system to your vehicle unless you fully understand these fitting instructions. Please direct any questions regarding fitting to the dealer from where the roof racks were purchased.
- Although the system is tested and approved to AS1235-2000 / ISO 11154, off-road conditions can be much more rigorous. Extreme care must be taken in off road conditions.
- Roof racks must be removed when vehicle is put through an automatic car wash.
- With utility vehicles, the cabin and the canopy move independently. Roofracks and vehicle can be damaged if the item transported is rigidly fixed at points on both the cabin and canopy. Instead, rigidly fix to either the cabin roofracks or the canopy roof racks.
- Always ensure you fasten your load securely.
- Use only non-stretch fastening ropes or straps to attach cargo to your load.





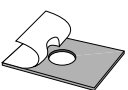
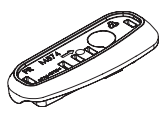
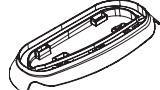
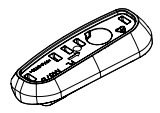
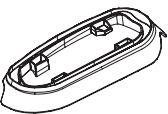
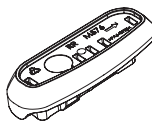
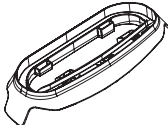
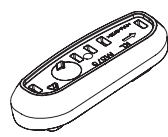
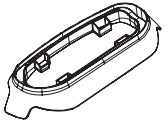

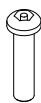


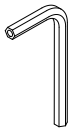
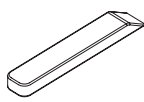

### In service maintenance checks

- All bolt connections should be checked after driving a short distance when you first install your roof racks.
- All bolted connections should be checked again at regular intervals (weekly is recommended, depending on road conditions, usage, loads and distances travelled).
- All bolted connections should be checked each time they are re-fitted.

### Note for Dealers and Fitters

It is your responsibility to ensure these fitting instructions are given to the end user or client. These instructions remain the property of Rhino-Rack Australia Pty. Ltd. and may not be used or changed for any other purpose than intended.

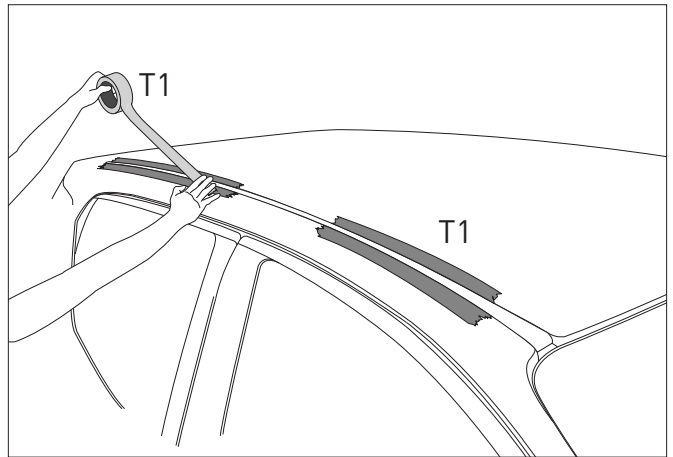
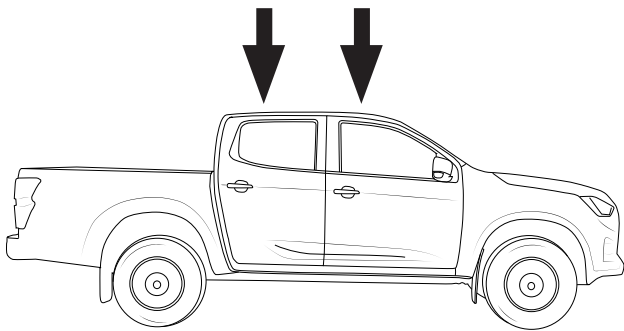
## Parts List

<p>M8 x 30mm SHCS</p>  <p><b>A</b> x4</p>	<p>M8 Spring Washer</p>  <p><b>B</b> x4</p>	<p>M8 Flat Washer</p>  <p><b>C</b> x4</p>	<p>7mm x 4mm O-ring</p>  <p><b>D</b> x4</p>
<p>Butyl Patch</p>  <p><b>E</b> x4</p>	<p>Front Right Pad (FR) fin-loc</p>  <p><b>F</b> x1</p>	<p>Front Right Skirt (FR)</p>  <p><b>G</b> x1</p>	<p>Front Left Pad (FL) fin-loc</p>  <p><b>H</b> x1</p>
<p>Front Left Skirt (FL)</p>  <p><b>I</b> x1</p>	<p>Rear Right Pad (RR) fin-loc</p>  <p><b>J</b> x1</p>	<p>Rear Right Skirt (RR)</p>  <p><b>K</b> x1</p>	<p>Rear Left Pad (RL) fin-loc</p>  <p><b>L</b> x1</p>
<p>Rear Left Skirt (RL)</p>  <p><b>M</b> x1</p>	<p>Pad Cover Plate</p>  <p><b>N</b> x4</p>	<p>M6 x 30mm Hex Setscrew</p>  <p><b>O</b> x4</p>	<p>M6 Spring Washer</p>  <p><b>P</b> x4</p>
<p>M6 x 16mm Flat Washer</p>  <p><b>Q</b> x4</p>	<p>6mm Allen Key</p>  <p><b>R</b> x1</p>	<p>Nylon Scraper</p>  <p><b>S</b> x1</p>	<p>Instruction</p>  <p><b>T</b> x1</p>

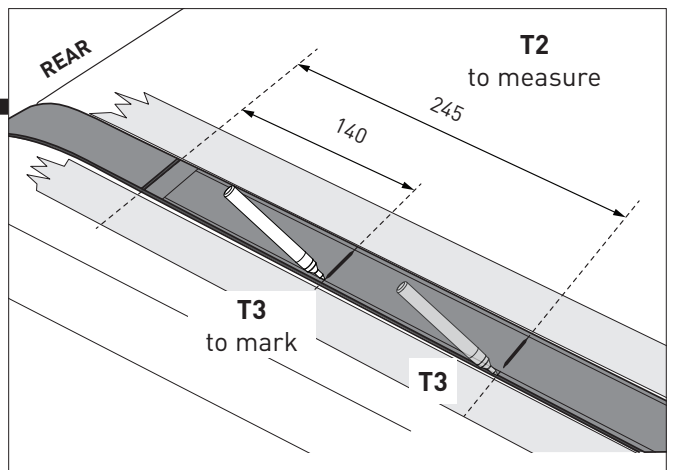
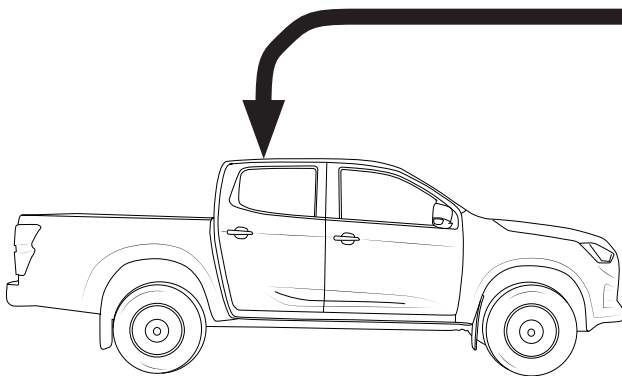
## Tools Required:

- T1 - Masking Tape
- T2 - Tape Measure
- T3 - Pencil/Marker
- T4 - Chisel
- T5 - Mallet
- T6 - Flat head Screwdriver
- T7 - Knife
- T8 - Cold Galvanising paint
- T9 - Small Paint Brush

1 Repeat to opposite side of vehicle

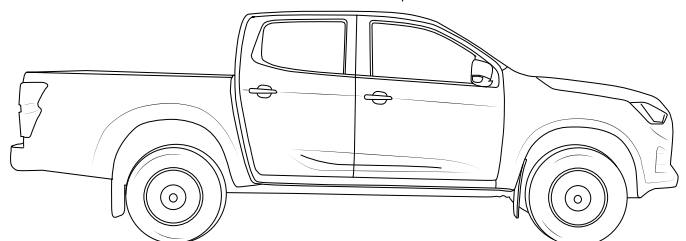
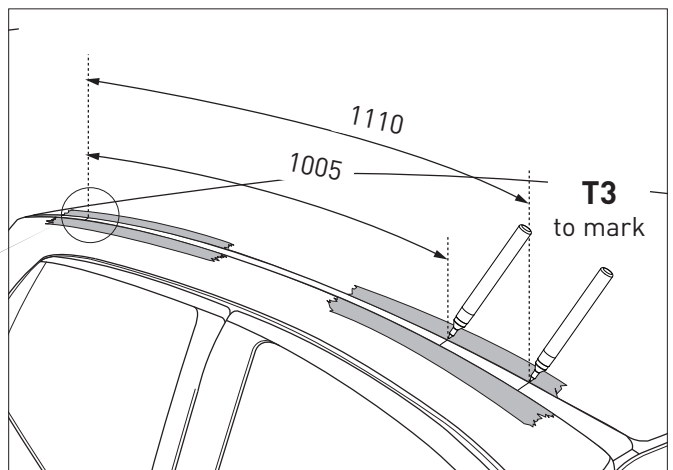
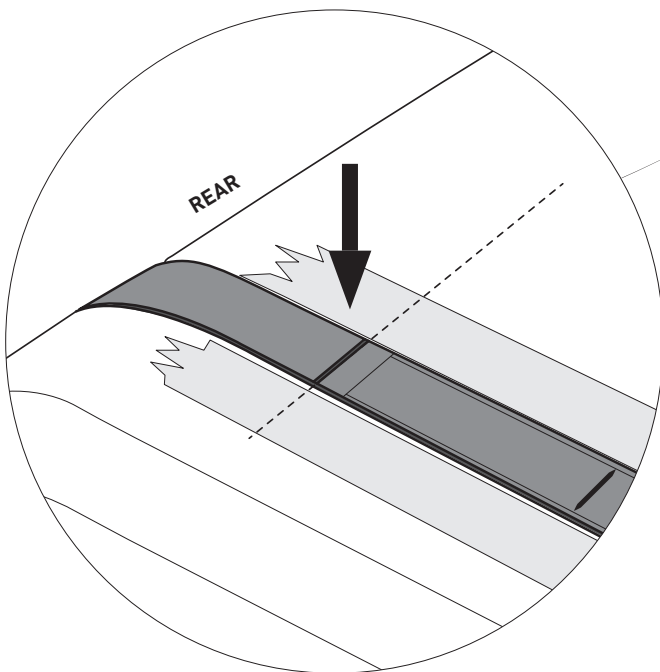


2 Repeat to opposite side of vehicle

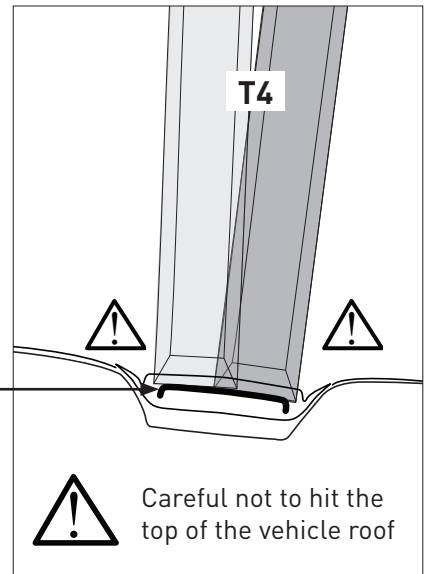
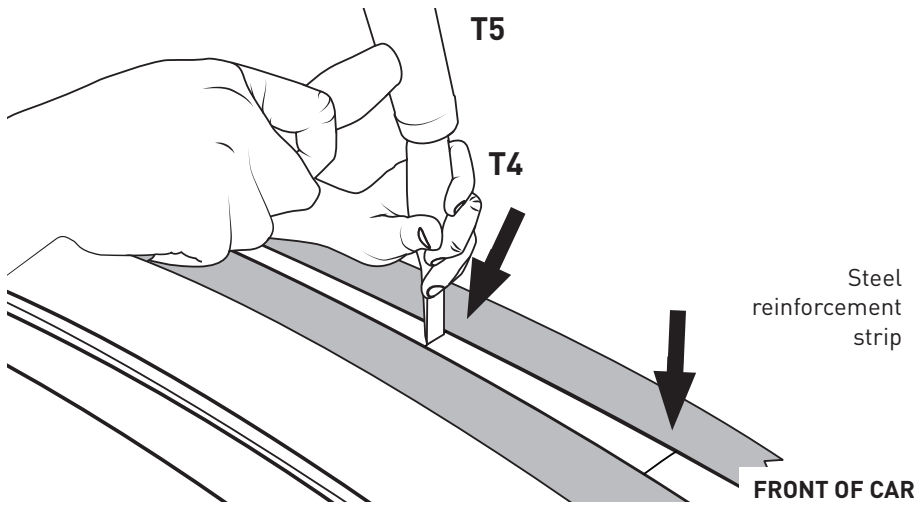


3 Repeat to opposite side of vehicle

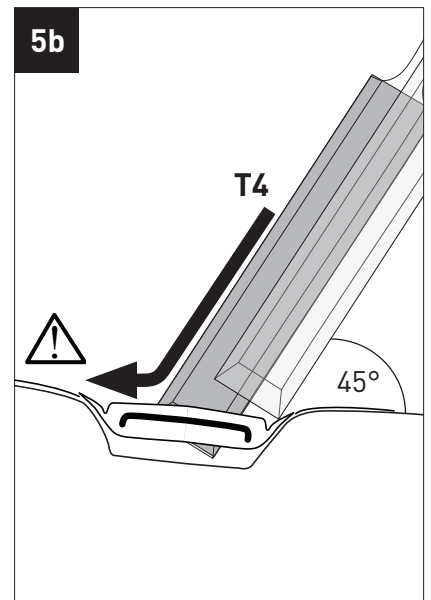
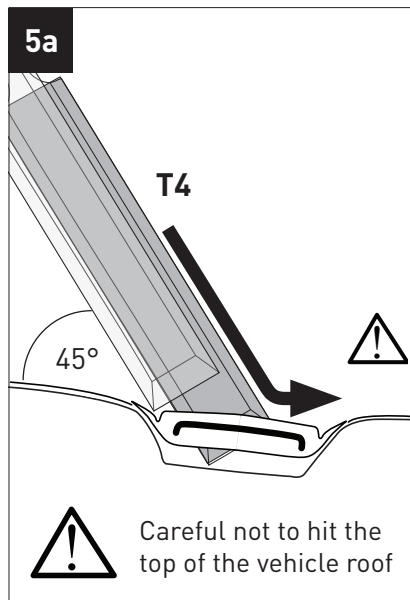
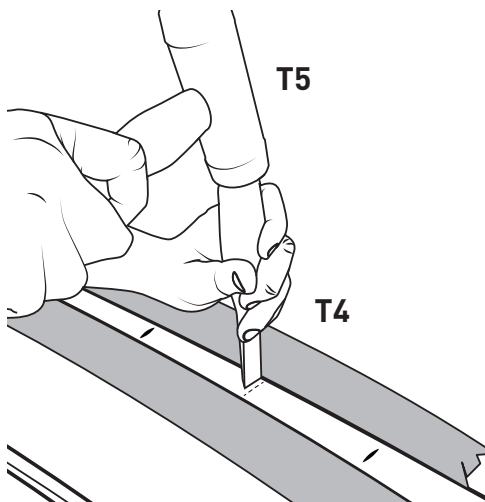
Measure from rear ditch strip



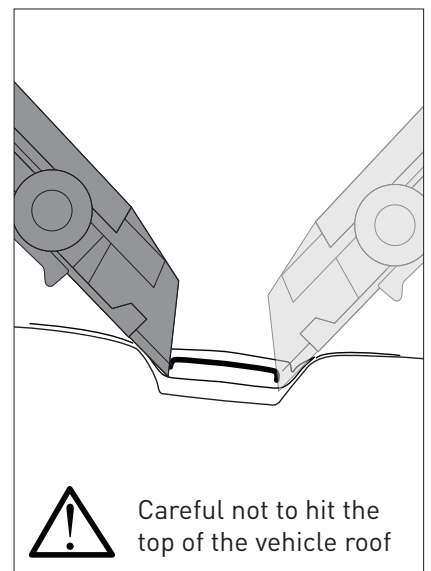
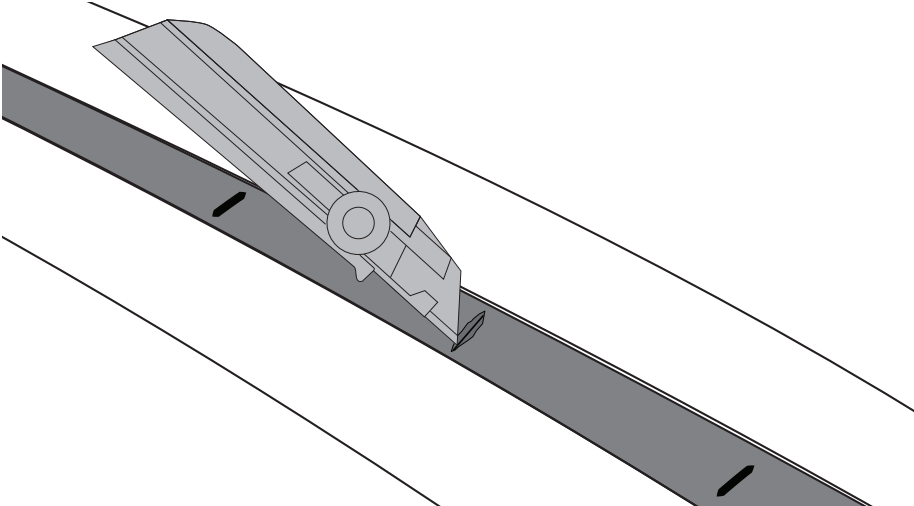
**4** Firmly indent the two measured marks on the entire width of the ditch rubber steel reinforcement strip at the front of the vehicle.



**5** Break through the metal strip between the two measured marks made in step 4

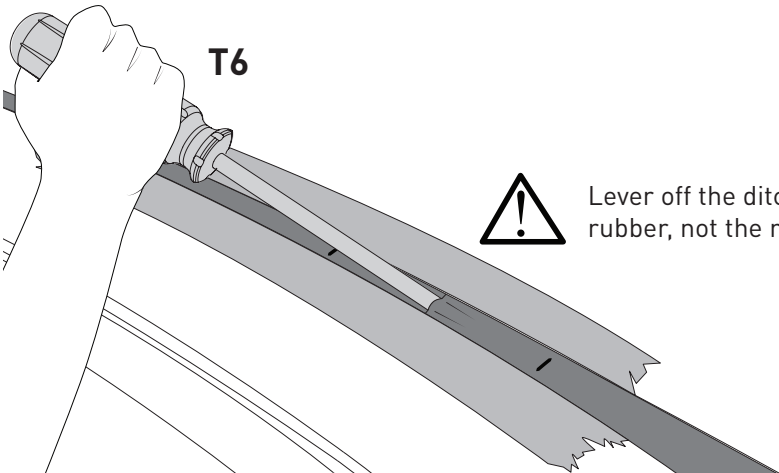


**6** If necessary, use a knife to cut through any rubber remaining on either side of the metal strip.



**7** Wedge a flat head screwdriver underneath the cut in the ditch rubber and lift to separate

**T6**



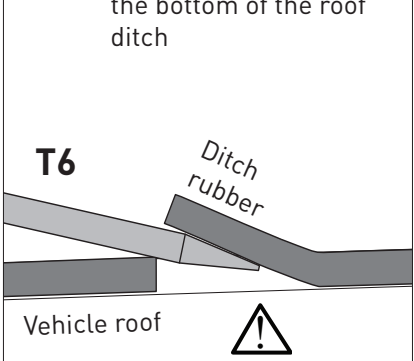
! Lever off the ditch rubber, not the roof

**7a** Careful not to hit the bottom of the roof ditch

**T6**

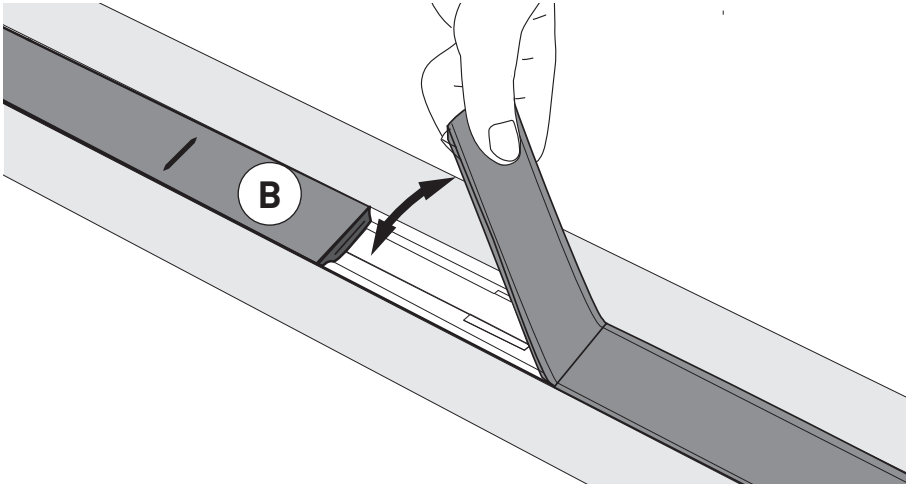
Ditch rubber

Vehicle roof



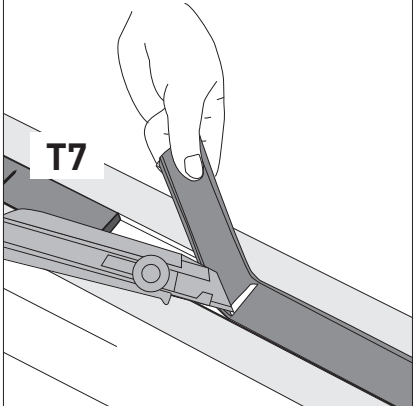
**8** Work the strip back & forth to snap off then cut through ditch rubber with a knife. Repeat to ditch rubber B.

**B**



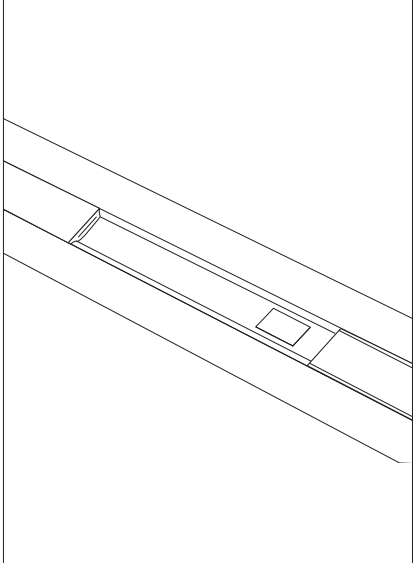
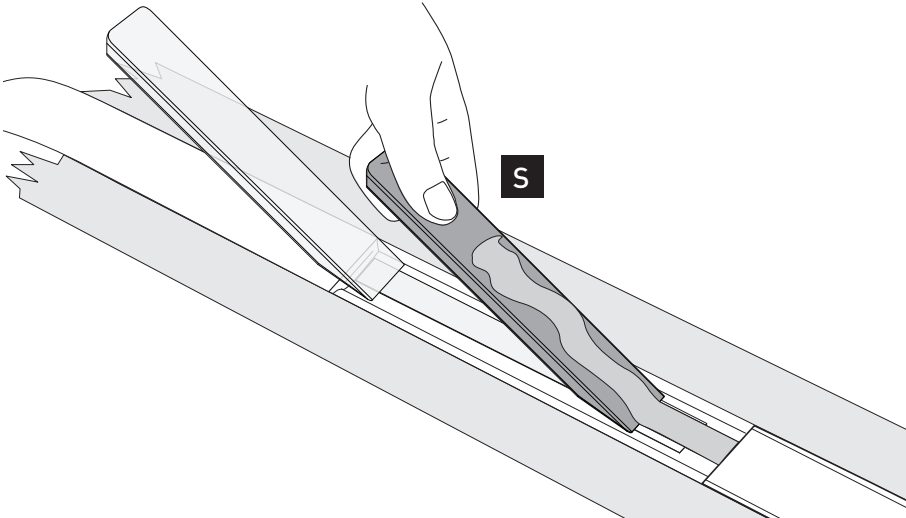
**8a** Repeat steps 4-8a for the rear ditch mount markings

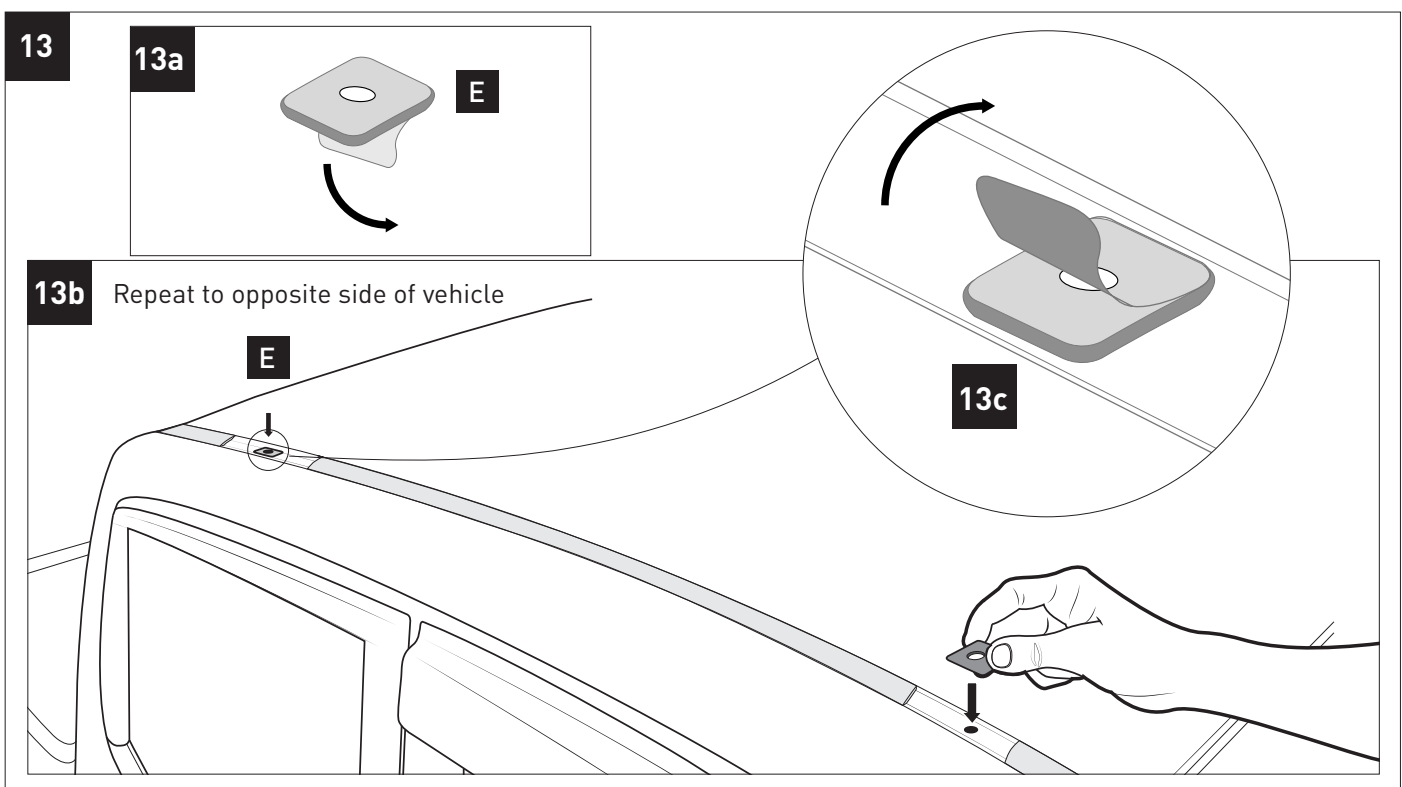
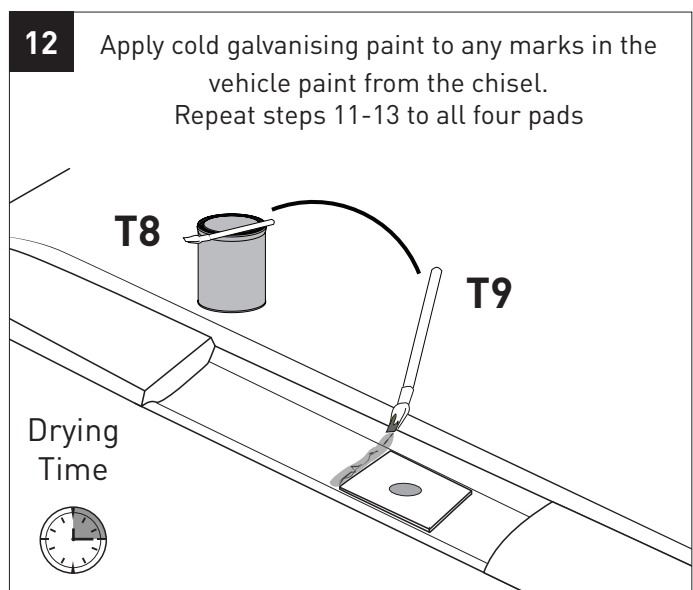
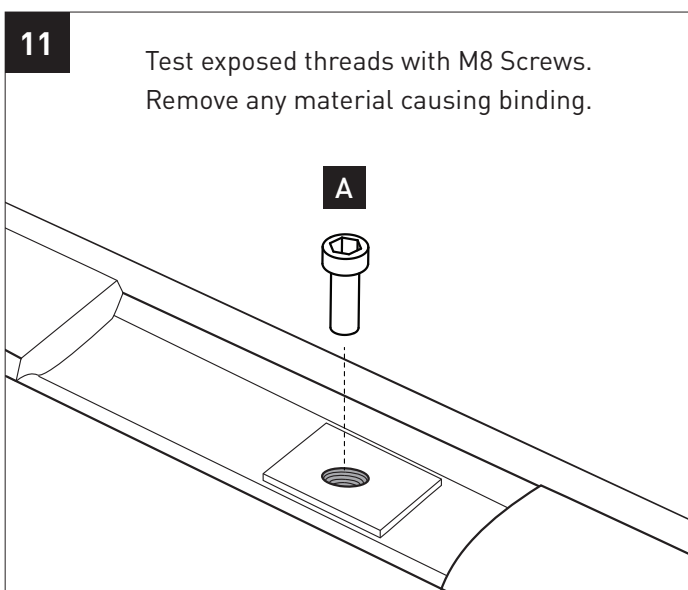
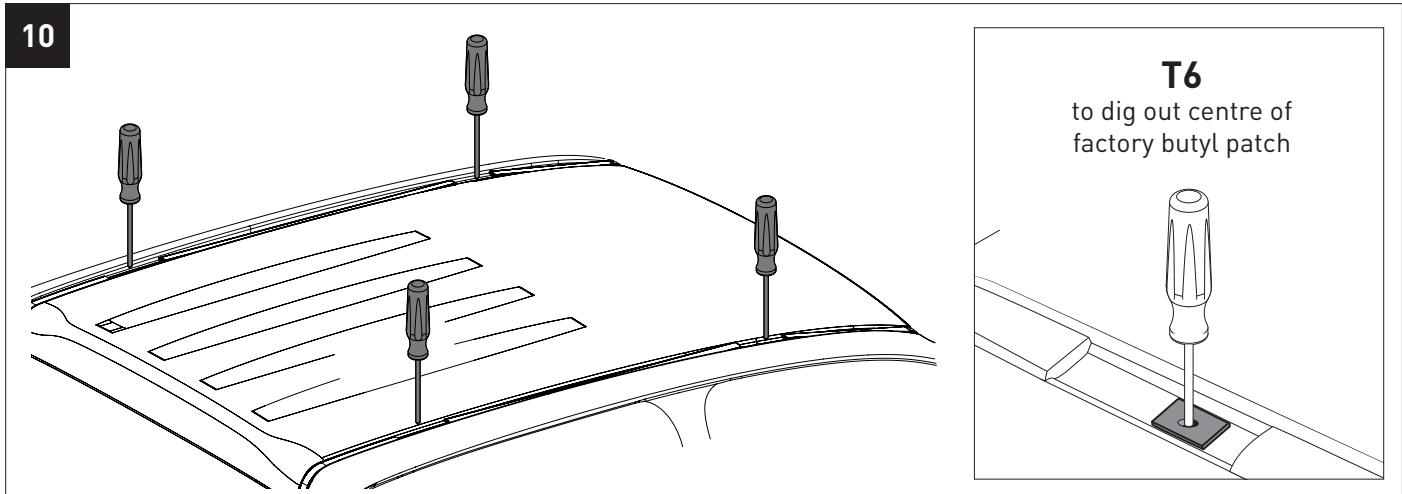
**T7**



**9**

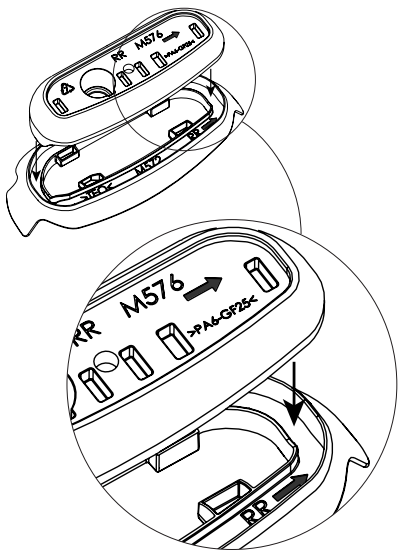
**S**



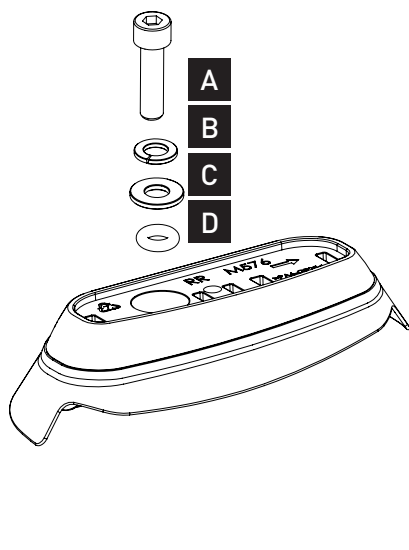


14

Refer to Step 16 to assemble pads to skirts ensuring arrows are facing the same direction.

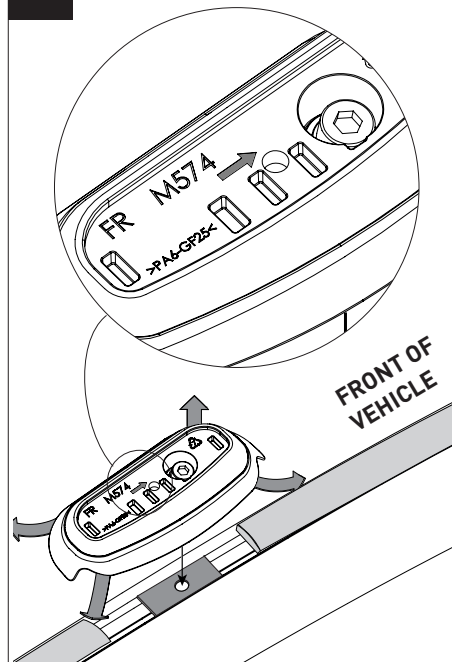


15

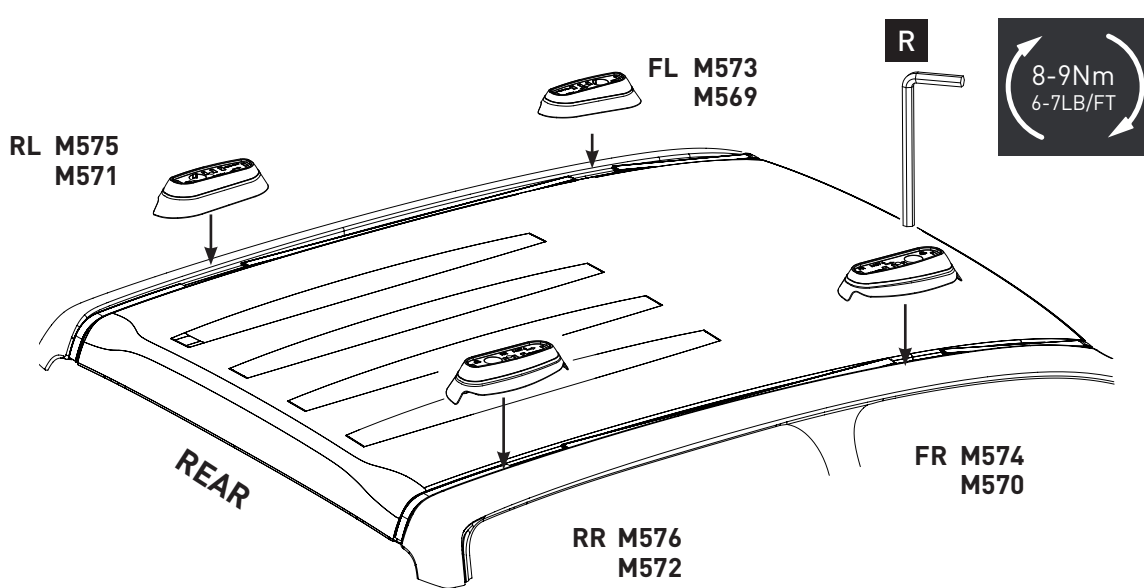


16

Arrows to face the front of the vehicle



17



18



When not in use, attach pad cover plates as removing base pads will compromise sealing of roof attachment

