

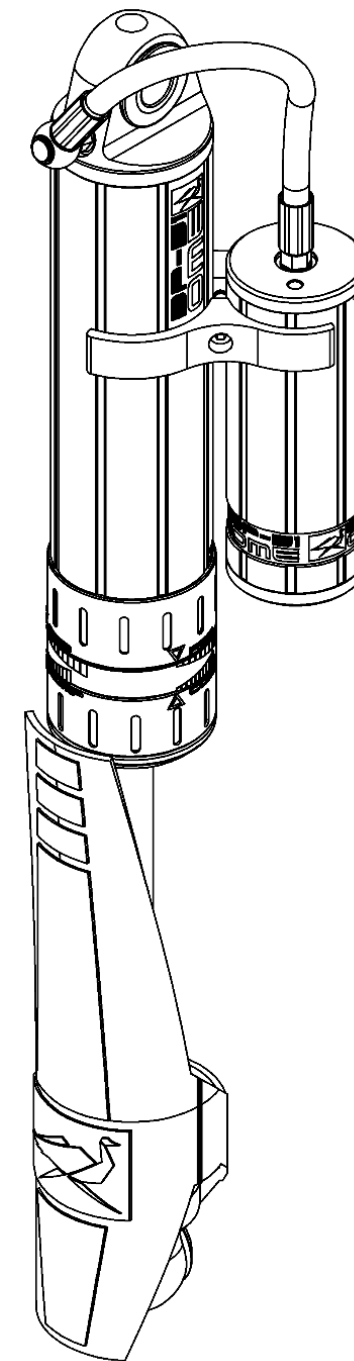
FITTING INSTRUCTIONS

BP5160018L & BP5160018R TOYOTA HILUX 2015 ON REAR

WARNING

- ◆ This product must be installed exactly as per these instructions using only the hardware supplied.
- ◆ In the event of damage to any suspension component, contact your nearest authorised ARB stockist. Repairs or modifications to the suspension system components must not be attempted.
- ◆ Do not use this product for any vehicle make or model, other than those specified by ARB.
- ◆ Do not remove labels from suspension components.
- ◆ This product or its fixing must not be modified in any way.
- ◆ The installation of this product may require the use of specialized tools and/or techniques
- ◆ It is recommended that this product is only installed by trained personnel
- ◆ These instructions are correct as at the publication date. ARB Corporation Ltd. cannot be held responsible for the impact of any changes subsequently made by the vehicle manufacturer
- ◆ During installation, it is the duty of the installer to check correct operation/clearances of all components
- ◆ Work safely at all times

Note: These fitting instructions should be read in conjunction with the vehicle workshop manual.

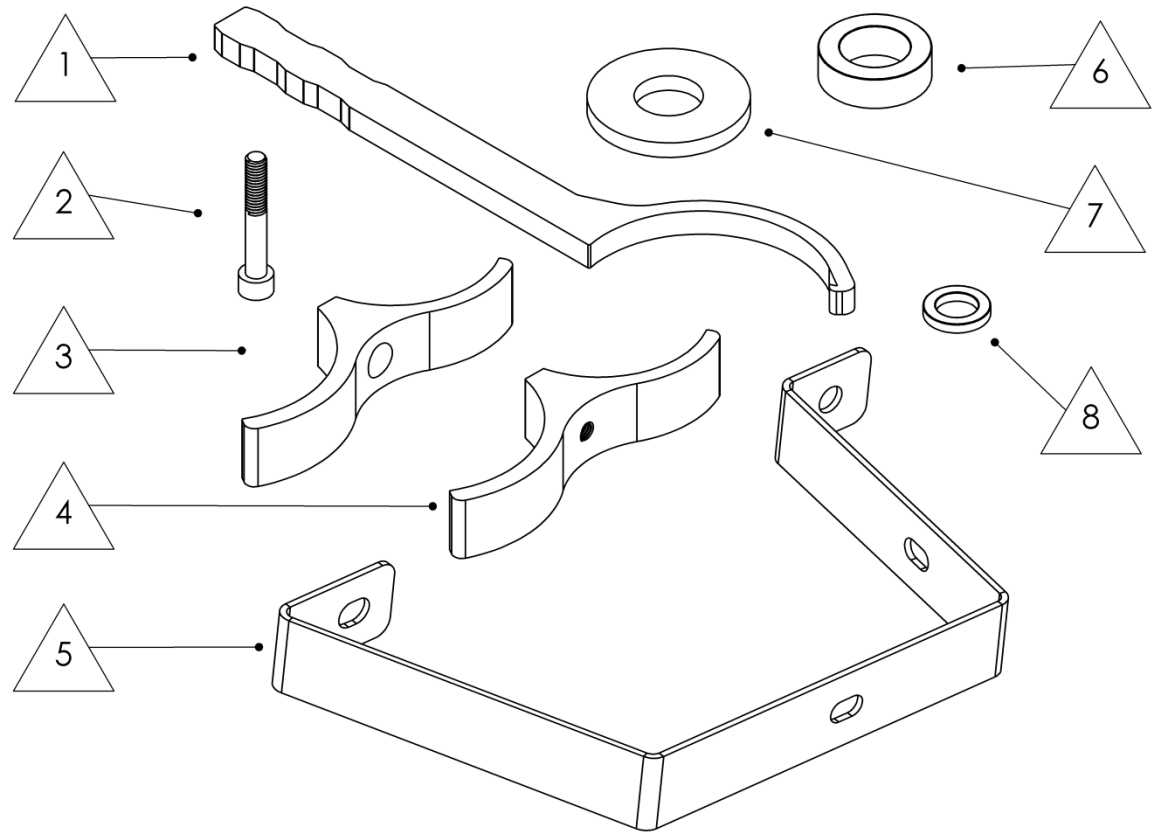
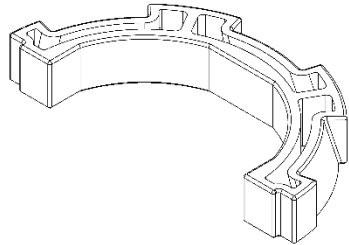


FITTING KIT CONTENTS – VM80010019

Item	Description	Qty	Spare Part Number
1	ADJUSTER TOOL	1	VC10010071SP
2	FASTENER: 6mm x 40mm	2	VD60020002SP
3	RESI. CLAMP HALF	2	VE10010001SP
4	RESI. CLAMP THREADED	2	VE10010002SP
5	MOUNT BRACKET REAR LOOM	1	VF60050019SP
6	WASHER: SPACER (20x32x10mm)	2	VE70020002SP
7	WASHER: SPACER (19x46x5mm)	2	VE70020010SP
8	WASHER: SPACER (12x19x3mm)	6	VE70020001SP

Shaft Guard Retainers (supplied with damper)

Spare part number - VD31000003SP



DAMPER PREPARATION

Before fitment, the Reservoir needs to be clamped to the shock absorber body.

Left and right setups are different. Refer to diagrams for orientation.

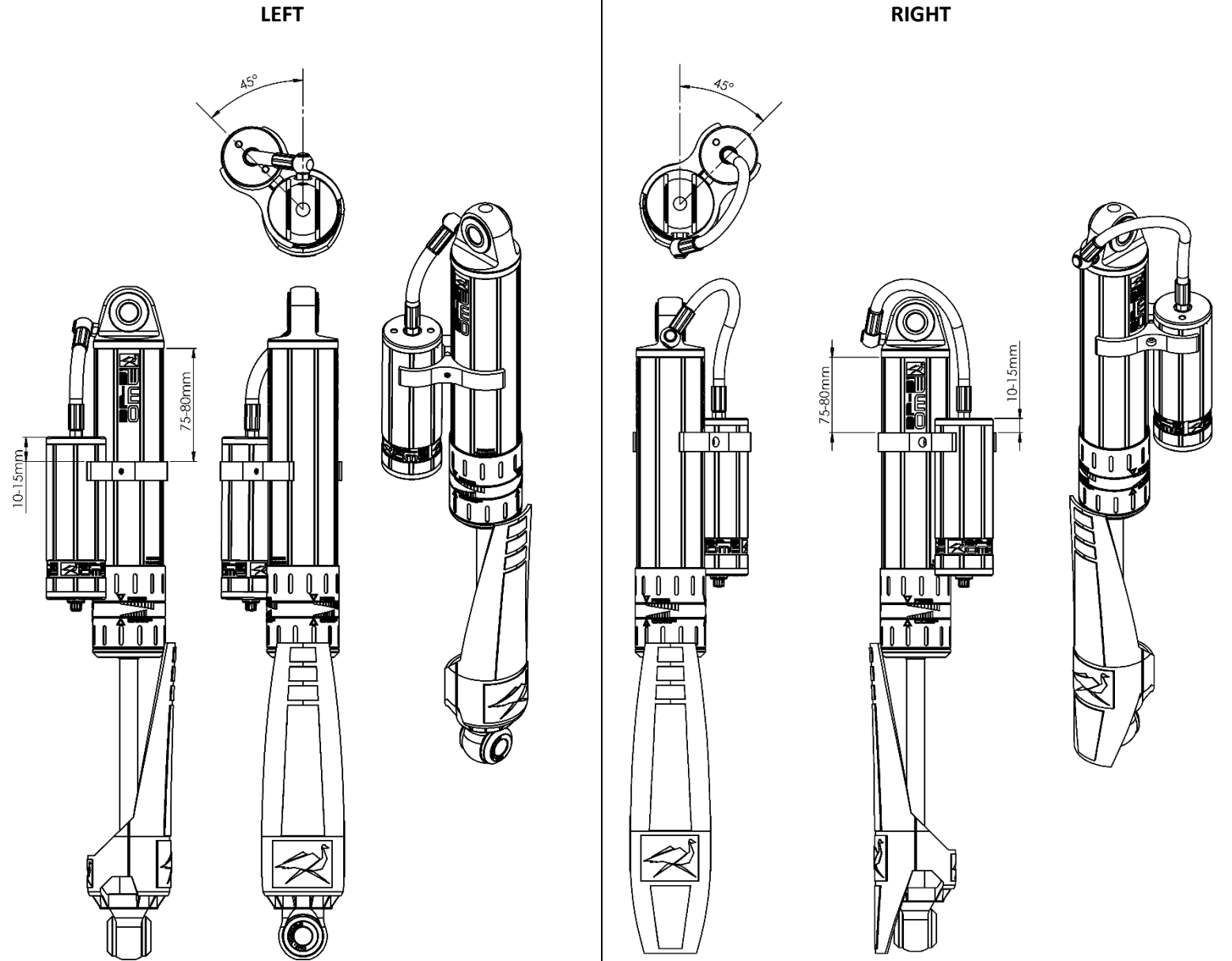
LEFT

The left side has the shorter hose and is mounted behind the axle when installed on the vehicle.

RIGHT

The right hand side has the longer hose and is mounted in front of the axle.

Secure the shaft guard after the damper is fitted to the vehicle. Refer to page 6.



MOUNTING SEQUENCE

Remove old dampers from vehicle.

The BP-51 needs to be fitted with the suspension in droop.

Mount the BP-51 dampers using the hardware in the sequence as shown in the diagram.

LEFT

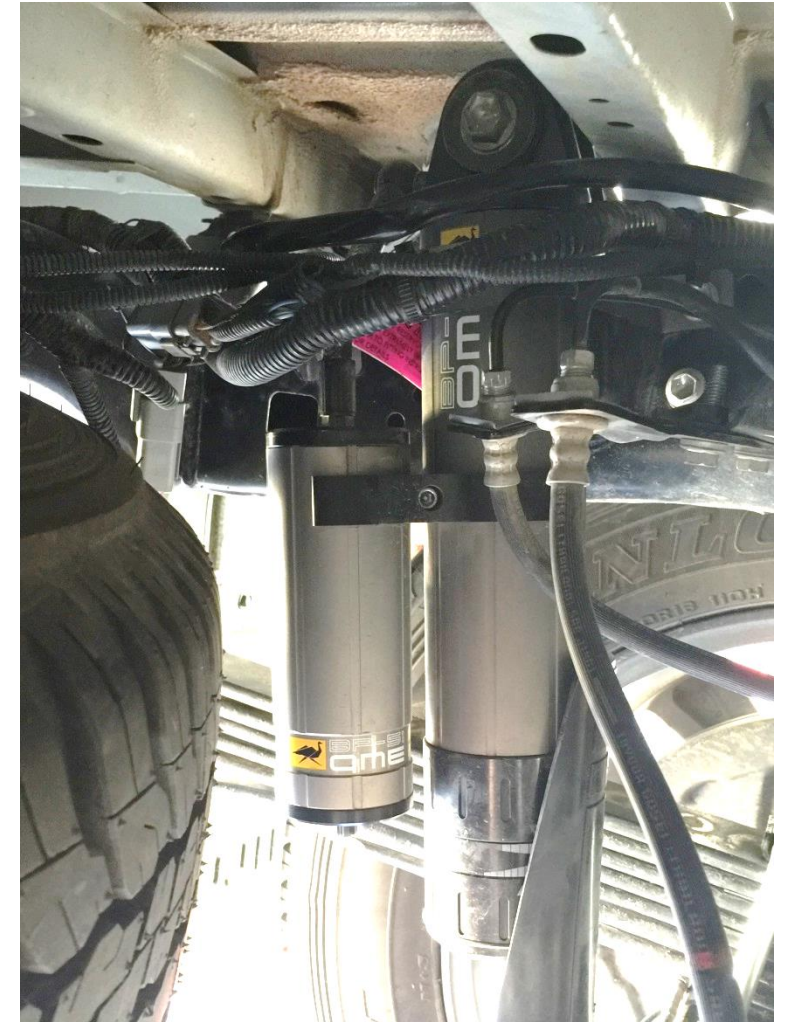
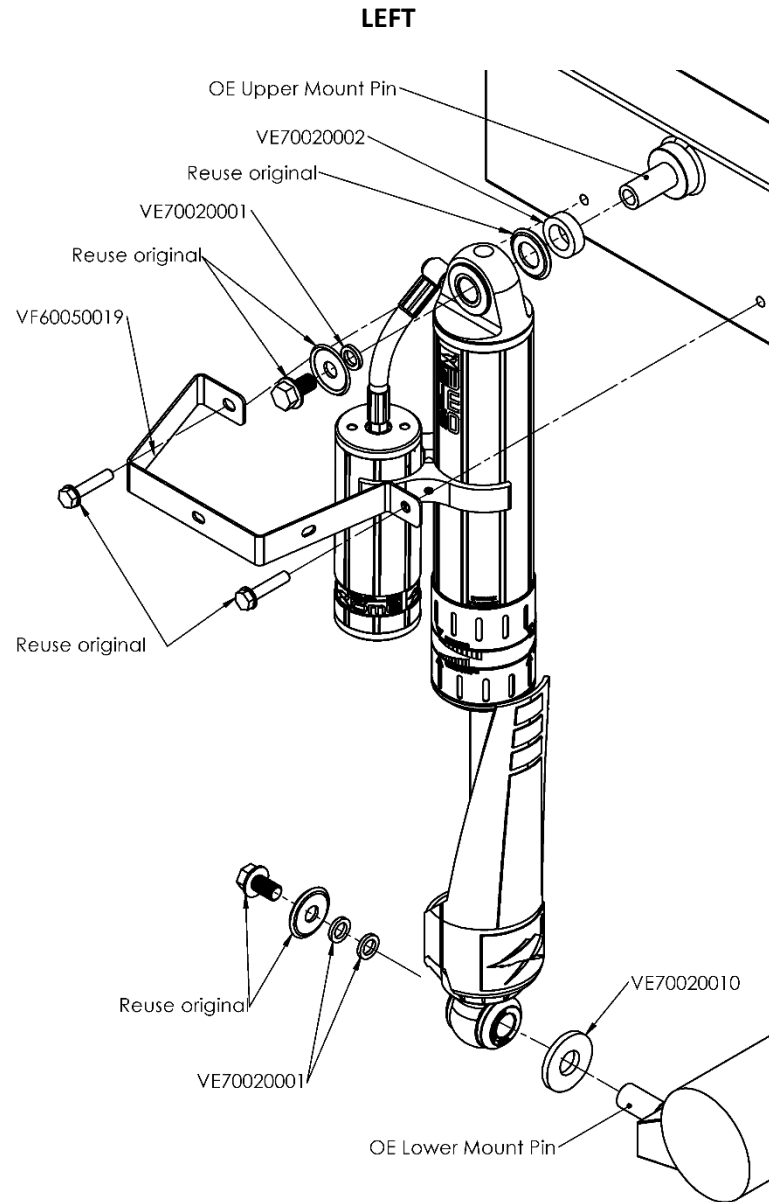
Fit the top mount in the sequence shown, you will need to replace an OE loom bracket attached to the inside of the chassis rail with supplied VF60050019 bracket, reuse plastic fixings to refasten loom.

Droop the wheel to secure the bottom mount using hardware as shown.

Ensure the hoses are clear of any obstructions and have no kinks. The clamp should never be fitted lower on the damper body than specified as it may obstruct the path of the stone guard at full compression.

Secure top and bottom mounting fasteners to 98 N.m (72 ft.lbf).

Refer to p6 for securing shaft guard.

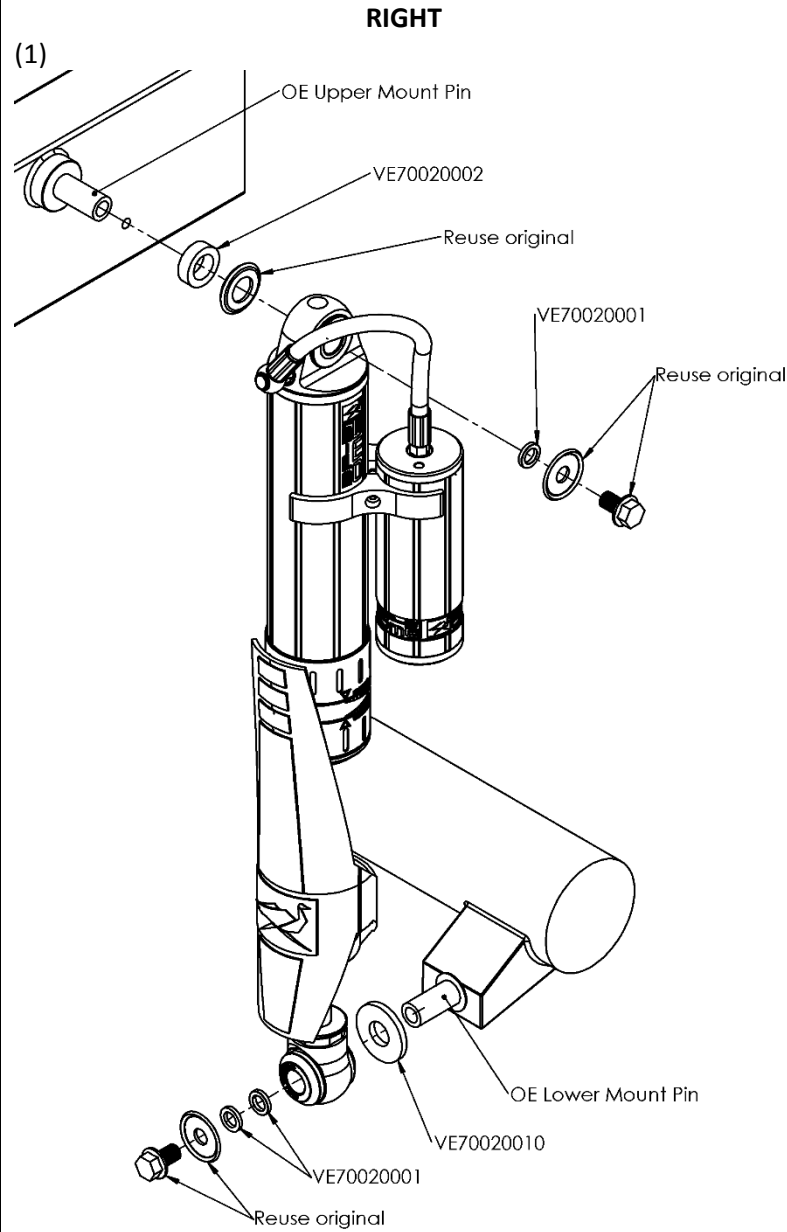


RIGHT

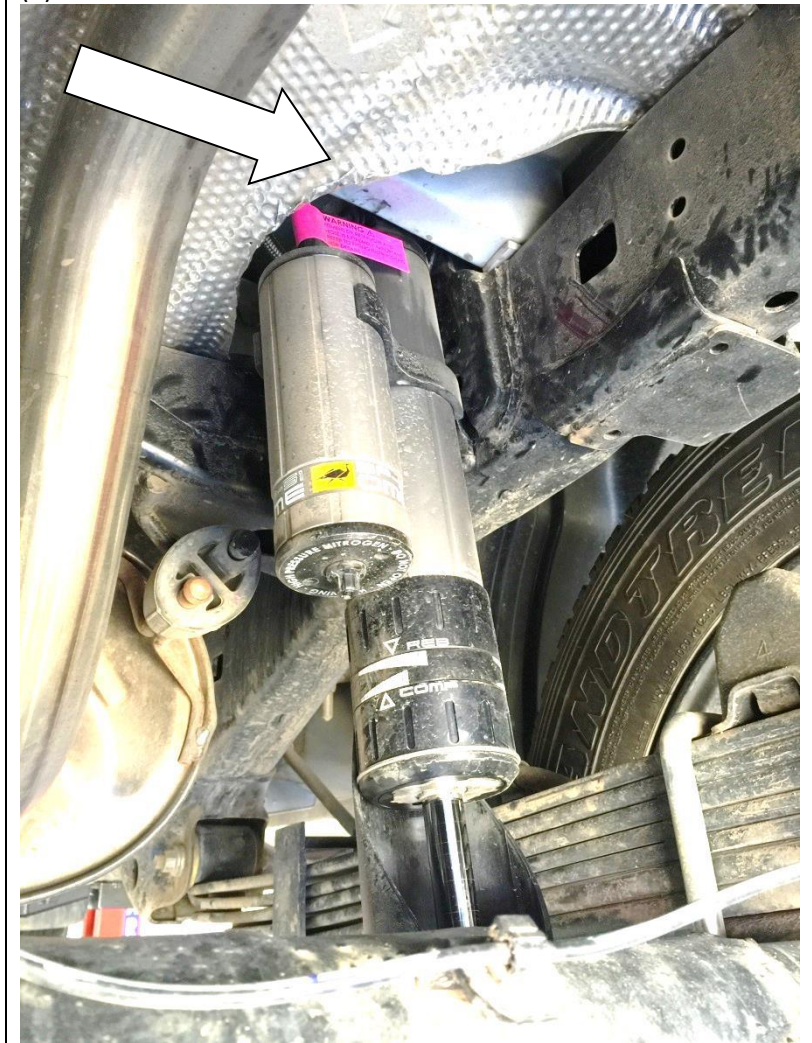
Fit the top mount first in the sequence shown (1), some trimming of the heat shield may be required as shown to create clearance around the hose as shown (2).

Droop the wheel to secure the bottom mount as shown.(1)
Torque as per LHS.

As tray fitments may vary, some fine tuning of the clamp position may be required on the RHS to ensure the hose clears the underside of the tray.



(2)



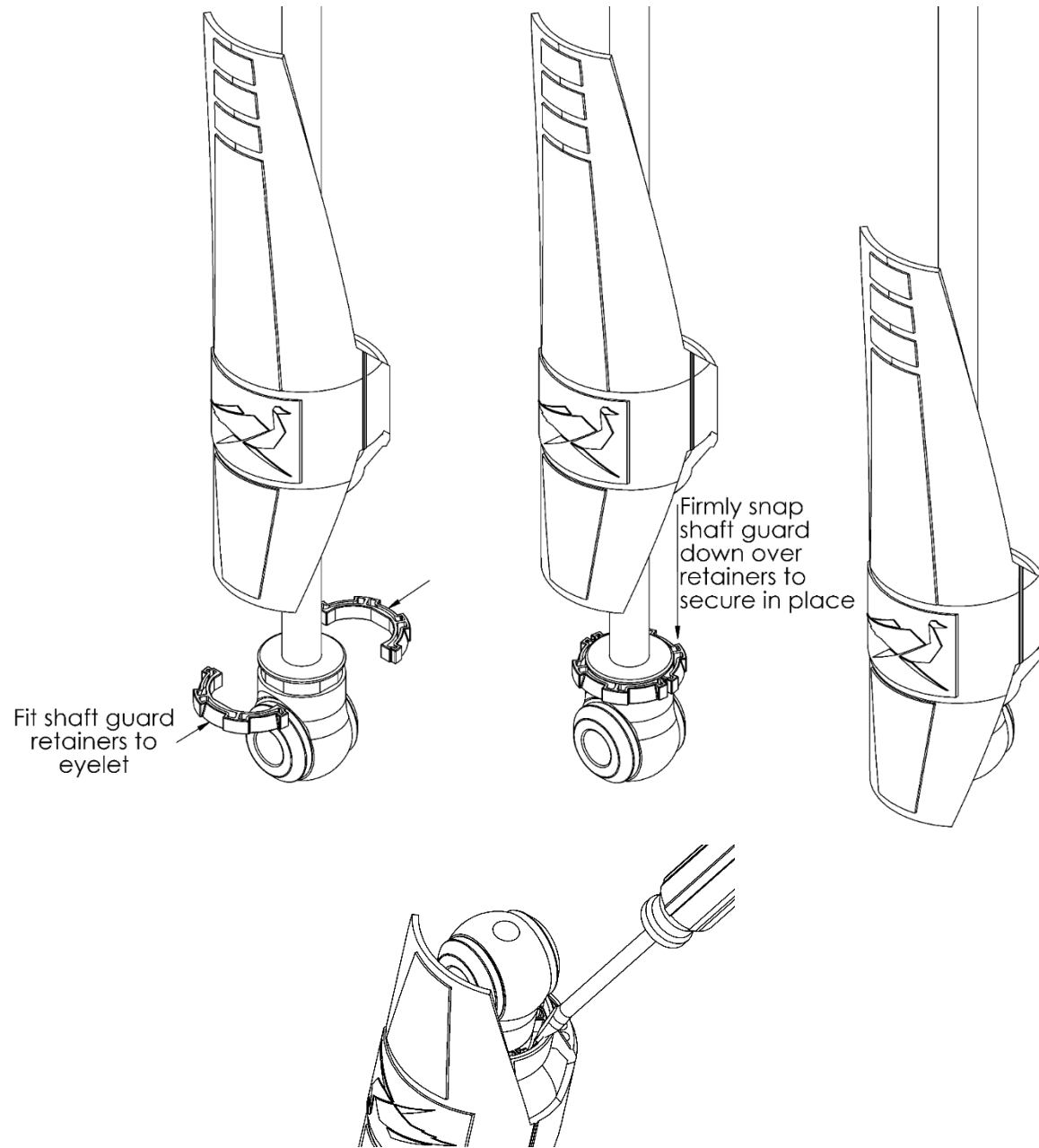
**SECURING SHAFT GUARDS
(RIGHT SHOWN)**

The shaft guards need to be secured after the dampers are fitted to the vehicle.

Fit the two retainers to the eyelet as shown.

There are features on the shaft guard that locate in the gap between the two retainers. Align the guard with these gaps and firmly pull down over the retainers to secure in place.

Check retainers are completely secured by guard. Use a flat blade screwdriver to poke retainers under tabs on guard if required.



SPECIFICATIONS AND SPARE PARTS

Item	Description	Part No./Specification
1	Spare Part: Top Bush	VD50010032SP
2	Spare Part: Hose	VD80020090SP (Left) VD80020200SP (Right)
3	Spare Part: Resi Clamp Assy	VM20010001SP
4	Spare Part: Oil	VC30040001SP
5	Specification: Nitrogen Pressure	2000 kPa
6	Specification: Factory Rebound Setting	3
7	Specification: Factory Compression Setting	3
8	Spare Part: Valve Cap	VD30020003SP
9	Spare Part: Shaft Guard	VD31020260SP (Left) VD31010260SP (Right)
10	Spare Part: Shaft Guard Retainers	VD31000003SP
11	Spare Part: Bottom Bush	VD50010045SP
12	Spare Part: Damper Mounting Kit	VM80010019

DAMPING ADJUSTMENT

These dampers have been set in the factory to be used for a vehicle with little or no load. If your load or accessory fitment differs, use the table below as a guide for recommended compression (Comp) and rebound (Reb) adjuster settings. Refer to the Owner's Manual for more information.

Rear Load	Comp	Reb
0 – 200 kg	0-4	0-4
200 – 400 kg	2-6	2-6
400 – 600 kg	4-8	4-8
600 – 800 kg	6-10	6-10

