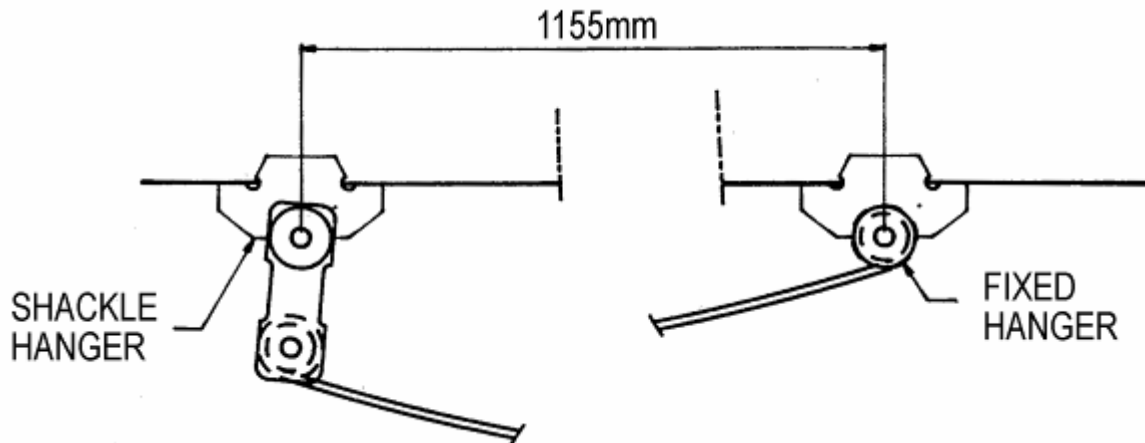


## SHACKLE ANTI-INVERSION KIT

Part Number FK13

This kit is to be fitted to the rear of the vehicle only.

Should the distance between the centre of the fixed mounting points exceed 1155mm then a FK13 anti-inversion plate must be fitted to prevent shackle inversion.



### FITTING INSTRUCTIONS

- Remove loose plate from OE shackle
- Replace with one plate from FK13 kit ( 2 plates per kit, 1 per side )
- Repeat procedure for other spring

Operation of FK13 anti-inversion kit :

