



# FITTING INSTRUCTIONS

Part Number: **3500620**

Product

Description: **WARN ZEON SYNTHETIC WINCH FITTING KIT.**

Suited to

vehicle/s: **AS NOTED IN CHART ON PAGES 3-4.**

## WARNING

### REGARDING VEHICLES EQUIPPED WITH SRS AIRBAG:

When installed in accordance with these instructions, the front protection bar does not affect operation of the SRS airbag.

### ALSO, NOTE THE FOLLOWING:

- ◆ This product must be installed exactly as per these instructions using only the hardware supplied.
- ◆ In the event of damage to any bull bar component, contact your nearest authorised ARB stockist. Repairs or modifications to the impact absorption system must not be attempted.
- ◆ Do not remove labels from this product (if fitted).
- ◆ The installation of this product may require the use of specialized tools and/or techniques
- ◆ It is recommended that this product is only installed by trained personnel
- ◆ These instructions are correct as at the publication date. ARB Corporation Ltd. cannot be held responsible for the impact of any changes subsequently made by the vehicle manufacturer
- ◆ During installation, it is the duty of the installer to check correct operation/clearances of all components
- ◆ Work safely at all times
- ◆ Unless otherwise instructed, tighten fasteners to specified torque

## ARB 4x4 ACCESSORIES

Corporate Head Office

42-44 Garden St  
Kilsyth, Victoria  
AUSTRALIA 3137

Tel: +61 (3) 9761 6622  
Fax: +61 (3) 9761 6807

Australian enquiries  
North & South American enquiries  
Other international enquiries

sales@arb.com.au  
sales@arbusa.com  
exports@arb.com.au

**www.arb.com.au**

# GENERAL CARE AND MAINTENANCE



- As part of any Pre Trip Preparation, or on an annual basis, it is recommended that a thorough visual inspection of the bar and accessories is carried out, making sure that all bolts and other components are torqued to the correct specification. Also check that all wiring sheaths, connectors, and fittings are free of damage. Replace any components as necessary. This service can be performed by your local authorized ARB Stockist.

## FITTING REQUIREMENTS

### REQUIRED TOOLS FOR FITMENT OF PRODUCT:

Basic tool kit	
TORX keys or sockets.	

### HAVE AVAILABLE THESE SAFETY ITEMS WHEN FITTING PRODUCT:

Protective eyewear		Hearing protection	
--------------------	--	--------------------	--

**NOTE:** 'WARNING' notes in the fitting procedure relate to OHS situations, where to avoid a potentially hazardous situation it is suggested that protective safety gear be worn or a safe work procedure be employed. If these notes and warnings are not heeded, injury may result.

### FASTENER TORQUE SETTINGS:

SIZE	Torque Nm	Torque lbft
M6	9Nm	7lbft
M8	22Nm	16lbft
M10	44Nm	32lbft
M12	77Nm	57lbft

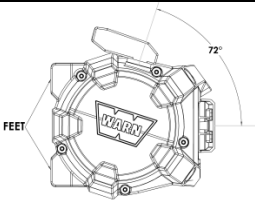
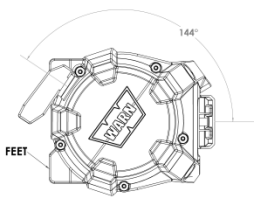
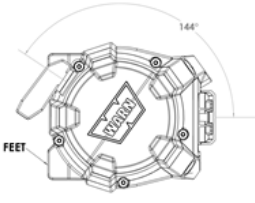
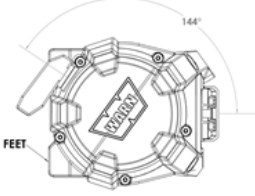
## PARTS LISTING

APPLICATION.	PART NO.	QTY	DESCRIPTION
WINCH TO BAR	6250013	4	ALUMINIUM SPACER 25MM
	6250014	4	ALUMINIUM SPACER 15MM
	3194521	1	SEAT ALUMINIUM BLOCKS
	6520011	2	ALUMINIUM SQUARE SPACER
	6250015	2	ALUMINIUM SPACER INTERNAL
	6522912	1	COVER PANEL HAWSE
	6151508	2	BOLT M10 X 90
	6151091	2	BOLT M10 X 60
	6151509	2	BOLT M10 X 110
	6151614	2	BOLT M10 X 70
	6151217	4	BOLT M10 X 50
	6151615	2	BOLT M10 X 80
	4581040	2	WASHER FLAT M10 X 25 X 3
	4584296	2	WASHER FLAT M10 X 30 X 5
CONTROL BOX TO BAR	3751884	1	MOUNT CONTROL BOX
	6151402	4	BOLT M6 X 16
	4584295	4	WASHER FLAT M6
	6821258	3	13MM DIA SPLIT TUBING X 440MM
	6821112	9	CABLE TIES

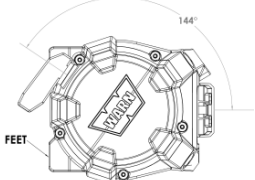
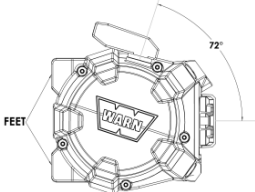
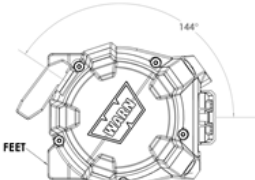
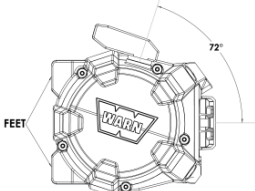
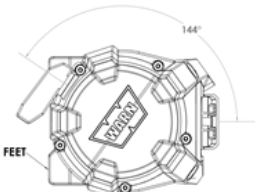
**PLEASE NOTE:** Control box must be removed from ZEON for all bars except those that suit a high mount winch.

Warn relocation kit W89965 will be required for all bars except those to suit high mount winches.

### SPACING AND FAIRLEAD TYPES. GUIDE ONLY.

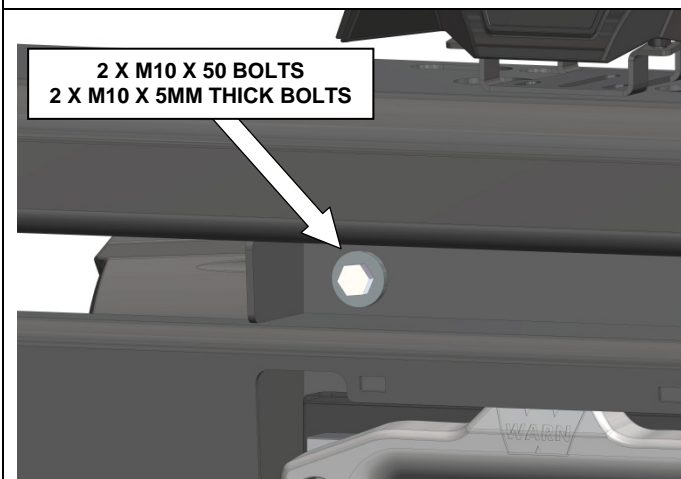
VEHICLE.	SPACING.	HAWSE.	HANDLE ROTATION.
Y62 PATROL	15MM	CENTRE	
Y61 PATROL	15MM	CENTRE	
Y61 COMMERCIAL	15MM	OFFSET	
NISSAN D40 (WILL NOT FIT DIESEL V6)	NO SPACING	OFFSET	

## SPACING AND FAIRLEAD TYPES. GUIDE ONLY.

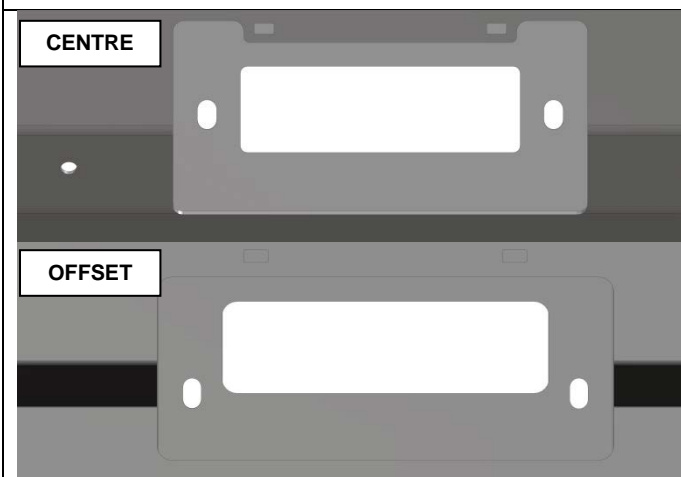
VEHICLE.	SPACING.	HAWSE.	HANDLE ROTATION.
TOYOTA LC200	25MM	CENTRE	
TOYOTA LC70	NO SPACING (15MM FOR COMMERCIAL ONLY)	OFFSET	
TOYOTA 150 PRADO	NO SPACING	CENTRE	
TOYOTA TACOMA	NO SPACING	OFFSET	
ISUZU DMAX HOLDEN COLORADO	15MM	OFFSET	



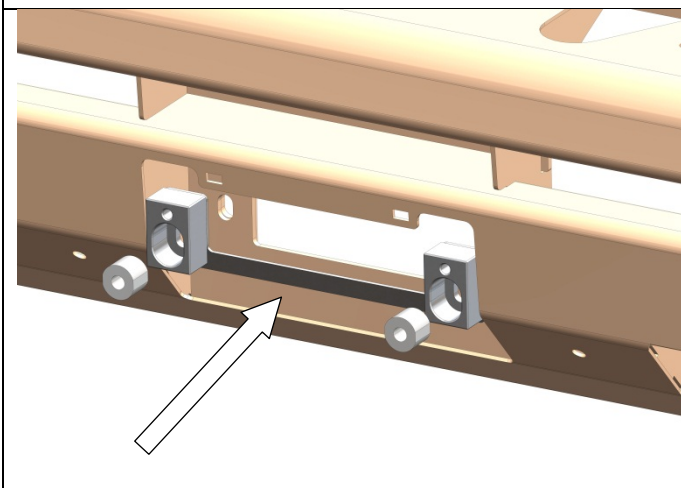
## FITTING PROCEDURE



1. **WINCH FITMENT WITH NO SPACING.**
2. Use above chart as a guide to positioning the clutch handle. Generally they are in the 72° or 144° anti-clockwise position. Remove the gearbox fasteners and rotate gearbox to required position. **DO NOT REMOVE GEARBOX COMPLETELY.**
3. Place the M10 nuts in the winch as shown in the ZEON manual. Use 2 x M10 x 50 bolts and 5mm thick M10 flat washers to secure the upper mount to bar. Do not tighten.

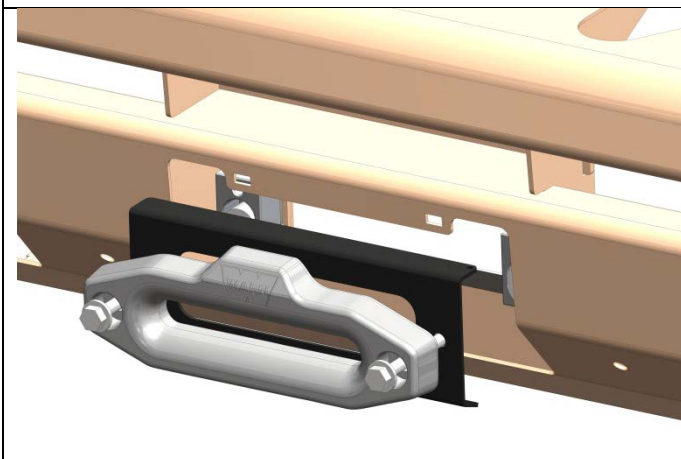


4. Using the images shown determine whether you are fitting to offset or centred lower holes.



5. **CENTRE MOUNTING OF HAWSE FAIRLEAD.**

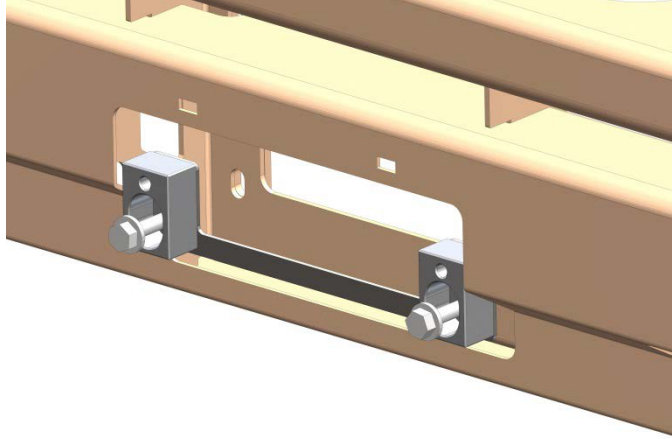
Assemble Hawse spacer kit as shown using square aluminium and 23mm long round aluminium blocks. Flat linking plate is placed at rear.



6. Place cover panel on the back of the Hawse fairlead as shown making sure the flat section is at the top. Secure to spacers and winch using 2 x M10 x 90 bolts and 2 x M10 x 3mm thick washers. Tighten all bolts.




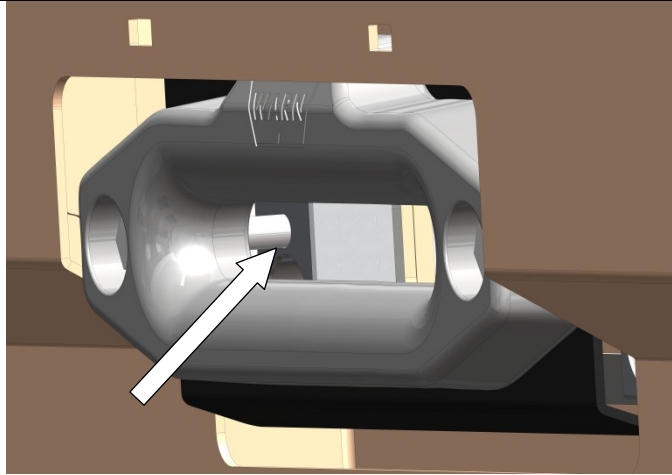
## FITTING PROCEDURE



### 7. OFFSET MOUNTING OF HAWSE FAIRLEAD.

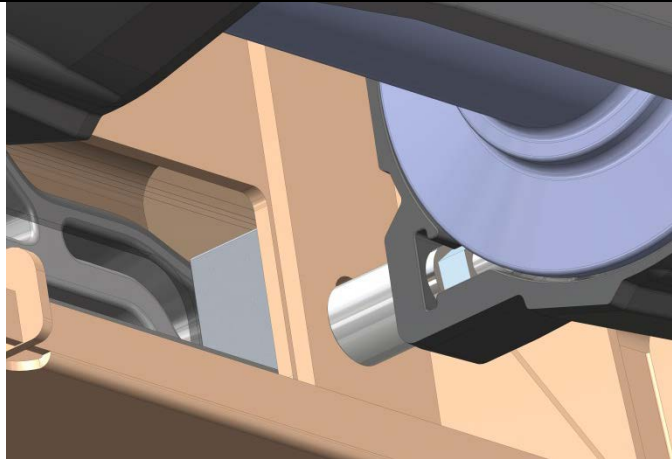
Fasten square spacer blocks only and joining plate to bar as shown using 2 x M10 x 50 bolts and 2 x M10 x 2mm thick washers. Tighten all bolts.

 **M10 - 44 Nm.**



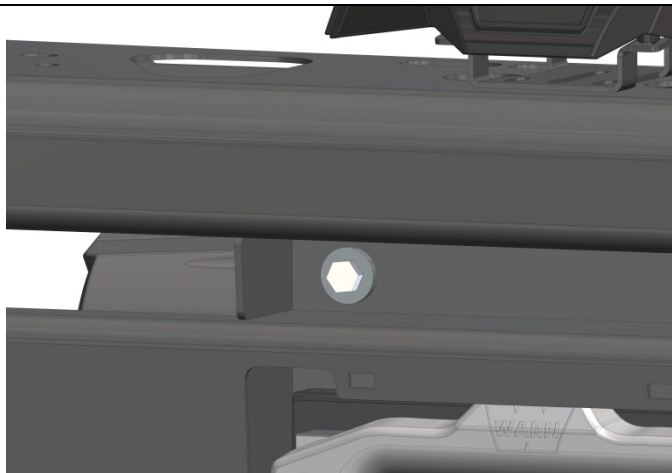
8. Secure Hawse fairlead and cover panel to top threaded holes in square spacers using the M10 x 35 flange head bolts supplied in the Warn kit. Tighten bolts when done.

 **M10 - 44 Nm.**



### 9. WINCH FITMENT WITH 15 AND 25MM SPACERS.

10. Install either 15 or 25mm spacers between winch and bar as shown (25mm spacer shown).



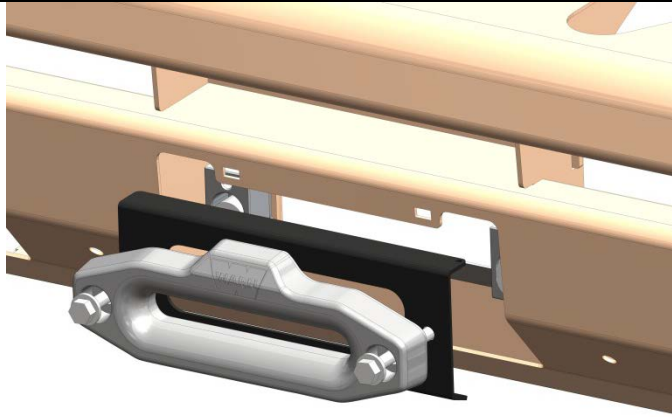
11. Complete these steps similar to steps 1 – 8 using different length bolts.

12. Install top bolts using M10 x 5mm thick washers using the bolt lengths below.

15mm spacers – M10 x 60

25mm spacers – M10 x 70

## FITTING PROCEDURE



### 13. CENTRE MOUNTING OF HAWSE FAIRLEAD WITH 15 OR 25MM SPACERS.

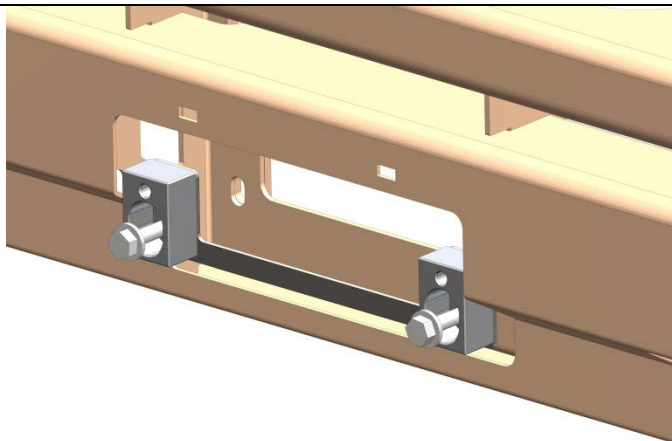
14. Following steps 5 and 6 install the spacers using the bolt lengths below.

15mm spacers – M10 x 110

25mm spacers – M10 x 110

Tighten all bolts when done.

 **M10 - 44 Nm.**



### 15. OFFSET MOUNTING OF HAWSE FAIRLEAD.

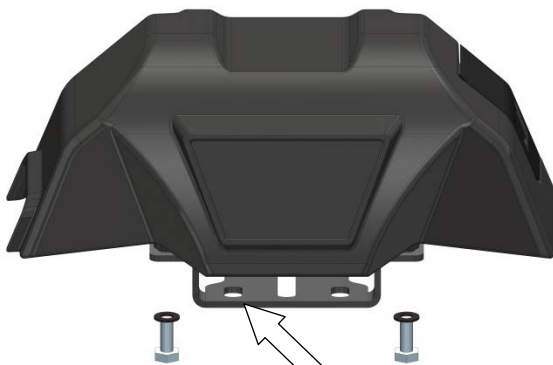
16. Following steps 7 and 8 install the spacers using the bolt lengths below.

15mm – M10 x 70

25mm – M10 x 80

 **M10 - 44 Nm.**

Install Hawse fairlead as shown in step 8.

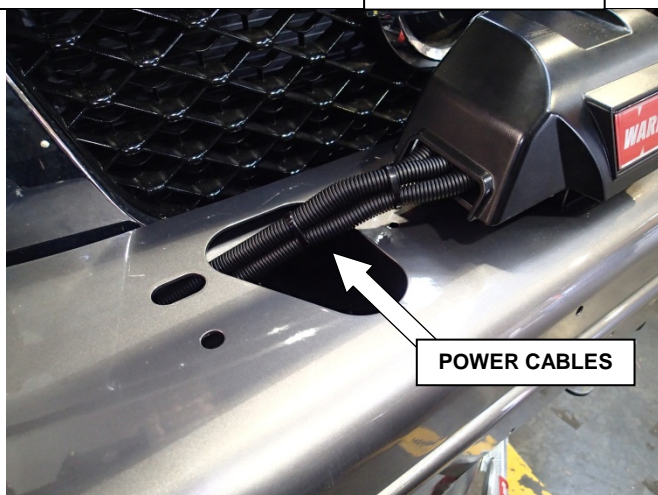


SLOTS AT FRONT

17. Install the longer cables to the control box as per the instructions in the Warn relocation kit.

18. Install new mounting bracket to control box using 4 x M6 x 16 bolts and flat washers.

 **M6 - 9 Nm.**



POWER CABLES

19. Place the sections of 13mm diameter split tubing on the three black cables coming out of the control box.
20. Carefully rout all cables through top pan and fasten box to bar using M8 fasteners provided in bullbar fitting kit. Cable tie leads together tightly trying to avoid sharp edges.
21. Attach power cables to Winch following the Warn instructions.

 **M8 - 22 Nm.**



## FITTED PRODUCT

